



High performance LED projector with a simple and functional design. The ideal choice for retail applications where a cost effective lighting solutions is desired. Highly reliable thermal design ensures long lasting performance and color consistency.

Luminaire characteristic:

Power input: 26.5W or 34.5W
Lumens: 2 255lm to 3 430lm (3000K)
Luminaire efficacy: Up to 99 lm/W

Source: BRIDGELUX FULL SPECTRUM LED MODULE (LM-80):
2700K,
3000K,
3500K.

Lumen maintenance: 90% of initial lumens at 100 000 hours (L90).

Optic: Available in spot, flood and wide flood.

Material: Body: Extruded aluminum housing and heatsink, die-cast aluminum pivot arm and trim.
Reflector: High bright faceted aluminum.

Mounting: **Tracks:**
Sistemalux one or two circuits,
Juno®,
Lightolier®.

Canopy:
Round canopy, mounted on a 4" standard octagonal junction box.

Adjustment: Tilt adjustment: 270°,
Pan adjustment: 165°/165°.

Electrical: Integral high efficiency LED driver rated at 50 000 hours. 120V or 120-277V.


Dimming: Supply standard: leading (triac) and trailing edge (ELV), down to 15% (120V) and 0-10V down to 15% for canopy version only, (120-277V).

Finish: White (RAL 9003), gray (RAL 9006) or matte black. Track adaptor or canopy will match fixture color.

Weight: 2lbs (0.9kg)

Warranty: 5 year limited warranty.

Ratings: IP20.

Certification:  cULus listed for dry location for track model.
cULus listed for damp location for canopy model.

ORDERING INFO

1620 - - - - -
FIXTURE

MODEL

1620 - Large

MOUNTING

- | | | |
|---|---|--|
| <input type="checkbox"/> S1 - Sistemalux
one circuit track ⁽¹⁾ | <input type="checkbox"/> Sistemalux
two circuit track ⁽²⁾ | <input type="checkbox"/> J - Juno ^{®(3)} |
| <input type="checkbox"/> W - Sistemalux
one circuit track
(wall or ceiling) ⁽¹⁾ | <input type="checkbox"/> C - Canopy | <input type="checkbox"/> L - Lightolier ^{®(4)} |

OUTPUT

- | | |
|--|--|
| <input type="checkbox"/> BO - Base output | <input type="checkbox"/> HO - High output |
|--|--|

LED

- | | | |
|--|--|--|
| <input type="checkbox"/> F27 - 2700K, Full spectrum | <input type="checkbox"/> F30 - 3000K, Full spectrum | <input type="checkbox"/> F35 - 3500K, Full spectrum |
|--|--|--|

OPTIC

- | | | |
|---|---|--|
| <input type="checkbox"/> 20 - Spot 20° | <input type="checkbox"/> 30 - Narrow flood 23° | <input type="checkbox"/> 40 - flood 39° |
|---|---|--|

VOLTAGE

- | | | |
|--|---|---|
| <input type="checkbox"/> 120 - 120V | <input type="checkbox"/> 277 - 277V ⁽⁵⁾ | <input type="checkbox"/> UNV - 120-277V ⁽⁶⁾ |
|--|---|---|

FINISH

- | | | |
|--|---|--|
| <input type="checkbox"/> 01 - White | <input type="checkbox"/> 10 - Gray | <input type="checkbox"/> 52 - Matte black |
|--|---|--|

DIMMING

- | | |
|--|---|
| <input type="checkbox"/> D10 - 0-10V ⁽⁷⁾ | <input type="checkbox"/> LTE - Leading and trailing edge dimming (120V only) |
|--|---|

⁽¹⁾ 8000 and 8000-S1 series. Also compatible with Cooper Lighting's Halo® L series tracks.

⁽²⁾ Track adaptor with circuit selector. Compatible with TEK® and HTEK® tracks.

⁽³⁾ Compatible with one circuit Juno® T series tracks.

⁽⁴⁾ Compatible with one circuit Lightolier® lytespan basic and advent series tracks.

⁽⁵⁾ Available for Sistemalux two circuit track mounting.

⁽⁶⁾ Available for canopy (C) mounting.

⁽⁷⁾ Available for 120-277V (UNV) voltage.

ACCESSORIES (TO BE ORDERED SEPARATELY)

*Fixture can hold a maximum of 2 accessories at a time.



SOFT FOCUS LENS

1703A



FROSTED LENS

1701A



ELLIPTIC LENS

1702A



BLACK HEX CELL LOUVER

1704A-52



INTERCHANGEABLE ALUMINUM REFLECTOR

Optic 20

1710 - 20°

Optic 30

1711 - 23°

Optic 40

1712 - 39°



BLACK CROSS BAFFLE

1695A-52 - Length: 7/8" (22.5mm)



BLACK SNOOT

1705A-52 - Length: 1 1/4" (44mm)



BLACK VISOR WALL WASHER

1706A-52 - Length: 1 1/4" (44mm)



FULL SPECTRUM SOLUTION FOR NATURAL LIGHT

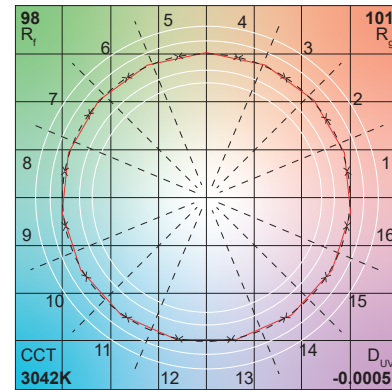
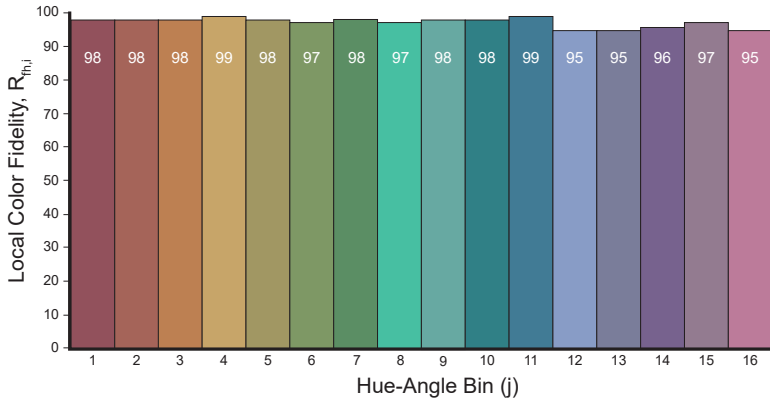
Engineered to provide the closest match to natural light available, our full spectrum solution brings natural light indoors.

The high-fidelity spectral output creates stunning environments with excellent color rendering and outstanding TM-30 metrics. Target applications included office, education, healthcare, retail, hospitality, architectural, museums, and residential lighting.

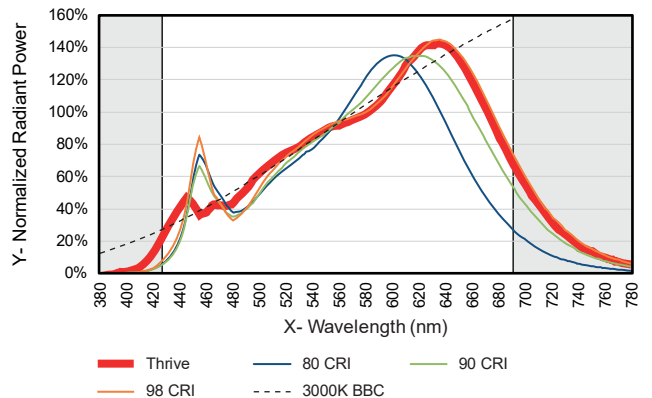
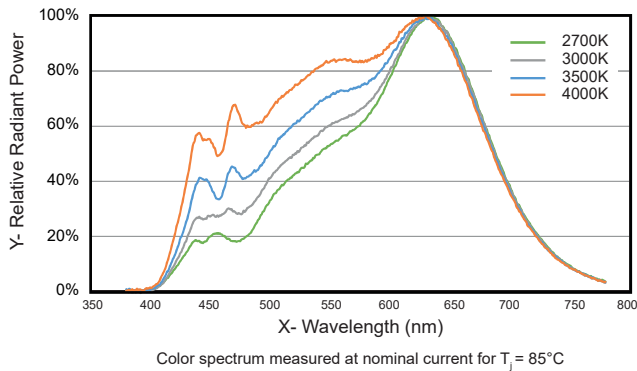
Nominal CCT ¹	R1	R2	R3	R4	R5	R6	R7	R8	R9	R10	R11	R12	R13	R14	R15	Rf	Rg
2700K	97	99	94	94	97	98	97	98	99	97	91	98	98	95	98	95	103
3000K	98	99	93	94	97	98	96	96	97	96	92	95	98	95	97	95	104
3500K	98	98	97	98	98	98	98	97	93	97	97	95	98	97	98	95	98

Typical Color Rendering Index and TM-30 Values at, T = 85°C

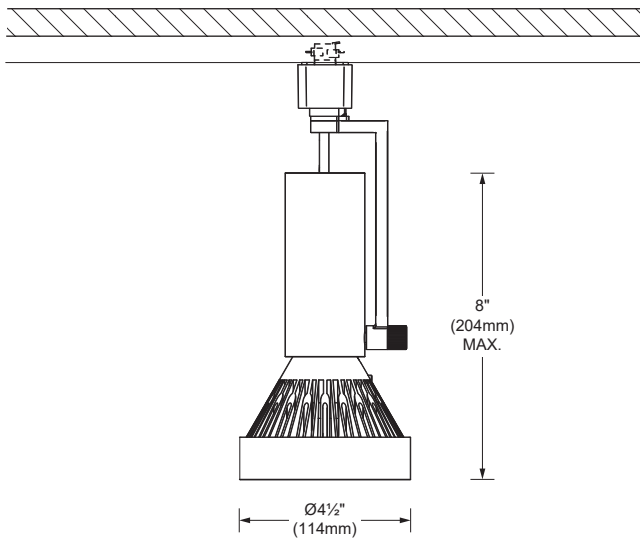
TM-30 Data for 3000K



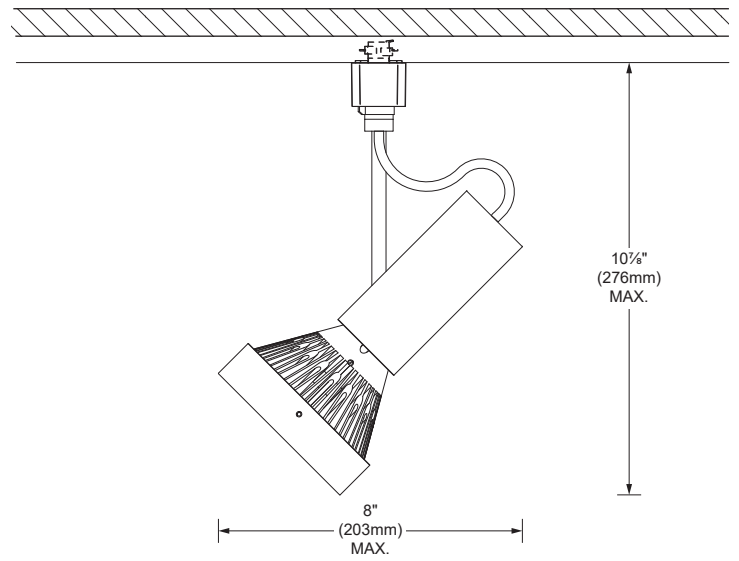
Typical Color Spectrum



DIMENSIONS

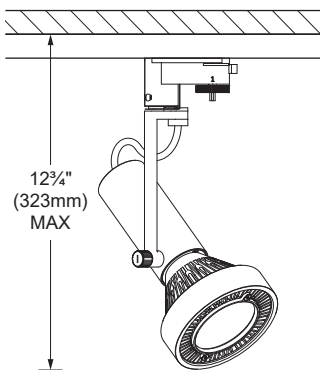


FRONT VIEW

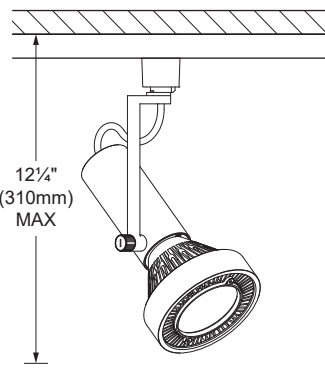


SIDE VIEW

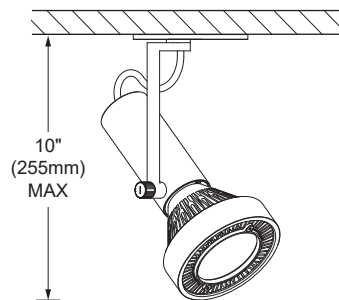
MOUNTING



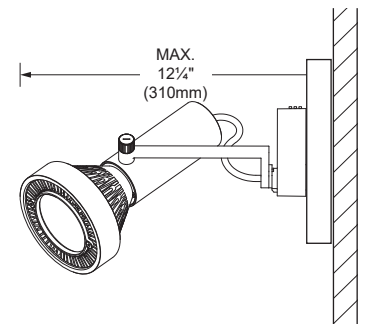
1620
Suitable for ceiling and wall



1620S1 / J / L
Suitable for ceiling



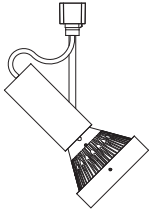
1620C
Suitable for ceiling and wall



1620W
Suitable for ceiling and wall

PHOTOMETRIC DATA

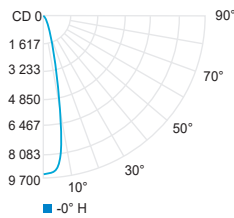
Photometric performance is measured at an accredited independent laboratory in accordance with IESNA LM-79. Visit sistimalux.com for complete photometric data.



CCT (K)	OUTPUT	LOAD (W)	OPTIC	LUMENS (lm)	EFFICACY (lm/w)	MAX CANDELA (cd)	MODELS
3000K	BO	26.5W	Spot 20°	2 270	85	9 635	1620-BO-F30-20
			Narrow flood 23°	2 255	85	8 705	1620-BO-F30-30
			Flood 39°	2 255	85	4 455	1620-BO-F30-40
	HO	34.5W	Spot 20°	3 430	99	14 410	1620-HO-F30-20
			Narrow flood 23°	2 765	80	10 675	1620-HO-F30-30
			Flood 39°	2 760	80	5 465	1620-HO-F30-40

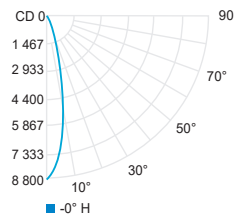
*USE MULTIPLIER TABLE FOR OTHER CCT AND CRI OUTPUT DATA

Spot BO 20° (3000K, Full spectrum)



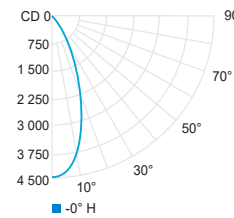
Center beam fc	Beam width ft
2ft	2 410 0.8
4ft	602 1.6
6ft	268 2.4
8ft	151 3.2
10ft	96.4 4.0
12ft	66.9 4.8

Narrow flood BO 23° (3000K, Full spectrum)



Center beam fc	Beam width ft
2ft	2 896 0.8
4ft	724 1.7
6ft	322 2.5
8ft	181 3.3
10ft	116 4.2
12ft	80.4 5.0

Flood BO 39° (3000K, Full spectrum)



Center beam fc	Beam width ft
2ft	1 115 1.4
4ft	279 2.9
6ft	124 4.3
8ft	69.7 5.8
10ft	44.6 7.2
12ft	31.0 8.7

CCT options	2700K	3000K	3500K
CRI options	Full spectrum	Full spectrum	Full spectrum
Multiplier	0.93	1	1.03