



High performance LED projector with a simple and functional design. The ideal choice for retail applications where a cost effective lighting solutions is desired. Highly reliable thermal design ensures long lasting performance and color consistency.

Luminaire characteristic:

Power input: 20.5W or 34.5W
Lumens: 1355lm to 3720lm (for 3000K, 80CRI)
Luminaire efficacy: Up to 113lm/W

Source: BRIDGELUX VERO LED MODULE, (LM-80 tested).
2700K: 90CRI,
3000K: 80CRI, 90CRI,
3500K: 80CRI, 90CRI,
4000K: 80CRI.

Lumen maintenance: 90% of initial lumens at 132 000 hours (L90).

Optic: Available in spot, narrow flood or flood.

Material: Body: Extruded aluminum housing and heatsink, die-cast aluminum pivot arm and trim.
Reflector: High bright faceted aluminum.
Lens: PMMA TIR.

Mounting: **Tracks:** Sistemalux one or two circuits, Juno®, Lightolier®.
Canopy: Round canopy, mounted on a 4" standard octogonal junction box.

Adjustment: Tilt adjustment: 270°, Pan adjustment: 165°/165°.

Electrical: Integral high efficiency LED driver rated at 50 000 hours. 120V, 277V or 120-277V.

Dimming: Supply standard: leading (triac) and trailing edge (ELV), down to 15% (120V) and 0-10V down to 15% for canopy version only, (120-277V).

Finish: White (RAL 9003), gray (RAL 9006) or matte black. Track adaptor or canopy will match fixture color.

Weight: 2lbs (0.9kg)

Warranty: 5 year limited warranty.

Ratings: IP20.

Certification:



cULus listed for dry location for track model.
cULus listed for damp location for canopy model.
Design Lights Consortium® (DLC). To confirm which versions are qualified, please consult the products list at www.designlights.org/QPL.

ORDERING INFO

1620 - - - - -
FIXTURE

MODEL

1620 - Large

MOUNTING

- | | | |
|---|---|--|
| <input type="checkbox"/> S1 - Sistemalux
one circuit track ⁽¹⁾ | <input type="checkbox"/> Sistemalux
two circuit track ⁽²⁾ | <input type="checkbox"/> J - Juno ^{®(3)} |
| <input type="checkbox"/> W - Sistemalux
one circuit track
(wall or ceiling) ⁽¹⁾ | <input type="checkbox"/> C - Canopy | <input type="checkbox"/> L - Lightolier ^{®(4)} |

OUTPUT

- | | |
|--|--|
| <input type="checkbox"/> BO - Base output | <input type="checkbox"/> HO - High output |
|--|--|

LED

- | | | | |
|--|--|--|--|
| <input type="checkbox"/> 927 - 2700K, 90CRI | <input type="checkbox"/> 830 - 3000K, 80CRI | <input type="checkbox"/> 835 - 3500K, 80CRI | <input type="checkbox"/> 840 - 4000K, 80CRI |
| | <input type="checkbox"/> 930 - 3000K, 90CRI | <input type="checkbox"/> 935 - 3500K, 90CRI | |

OPTIC

TIR LENS

LSP - Lens spot 15°

ALUMINUM REFLECTOR

20 - Spot 20°

30 - Narrow flood 23°

40 - flood 39°

VOLTAGE

- | | | |
|--|---|---|
| <input type="checkbox"/> 120 - 120V | <input type="checkbox"/> 277 - 277V ⁽⁵⁾ | <input type="checkbox"/> UNV - 120-277V ⁽⁶⁾ |
|--|---|---|

FINISH

- | | | |
|--|---|--|
| <input type="checkbox"/> 01 - White | <input type="checkbox"/> 10 - Gray | <input type="checkbox"/> 52 - Matte black |
|--|---|--|

DIMMING

- | | |
|--|---|
| <input type="checkbox"/> D10 - 0-10V ⁽⁷⁾ | <input type="checkbox"/> LTE - Leading and trailing edge dimming (120V only) |
|--|---|

⁽¹⁾ 8000 and 8000-S1 series. Also compatible with Cooper Lighting's Halo® L series tracks.

⁽²⁾ Track adaptor with circuit selector. Compatible with TEK® and HTEK® tracks.

⁽³⁾ Compatible with one circuit Juno® T series tracks.

⁽⁴⁾ Compatible with one circuit Lightolier® lytespan basic and advent series tracks.

⁽⁵⁾ Available for Sistemalux two circuit track mounting.

⁽⁶⁾ Available for canopy (C) mounting.

⁽⁷⁾ Available for 120-277V (UNV) voltage.

ACCESSORIES (TO BE ORDERED SEPARATELY)

*Fixture can hold a maximum of 2 accessories at a time.



SOFT FOCUS LENS

1703A



FROSTED LENS

1701A



ELLIPTIC LENS

1702A



BLACK HEX CELL LOUVER

1704A-52



INTERCHANGEABLE ALUMINUM REFLECTOR
AVAILABLE WITH REFLECTOR OPTICS

Optic 20

1710 - 20°

Optic 30

1711 - 23°

Optic 40

1712 - 39°



BLACK CROSS BAFFLE

1695A-52 - Length: 7/8" (22.5mm)



BLACK SNOOT

1705A-52 - Length: 1 3/4" (44mm)

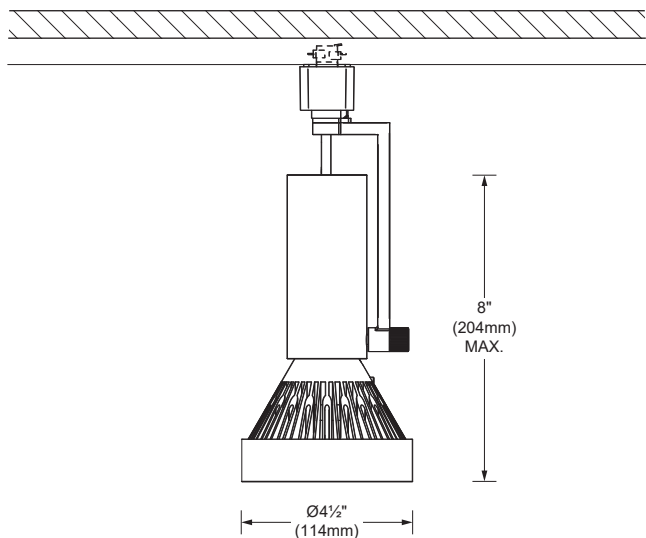


BLACK VISOR WALL WASHER

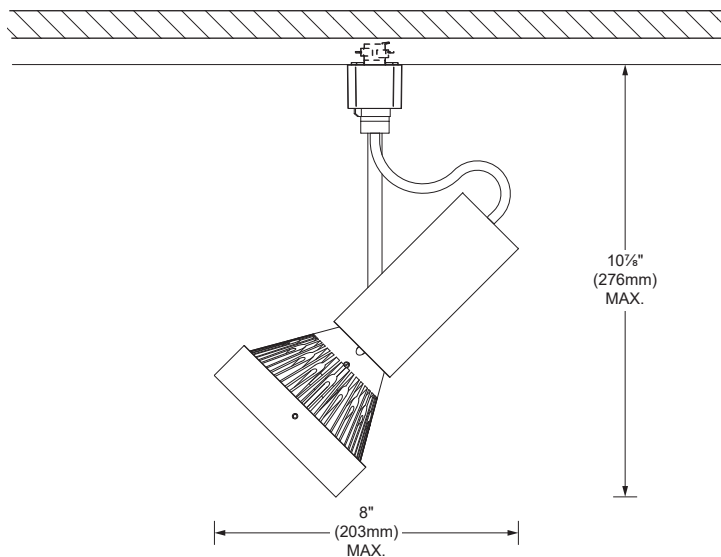
1706A-52 - Length: 1 3/4" (44mm)



DIMENSIONS

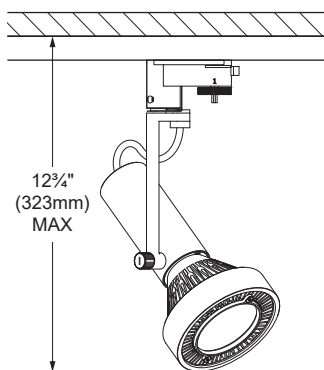


FRONT VIEW

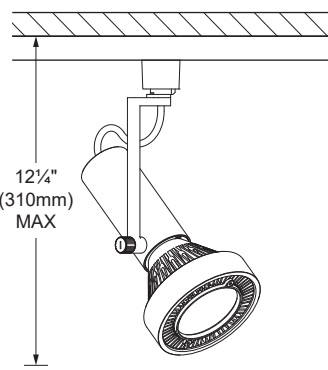


SIDE VIEW

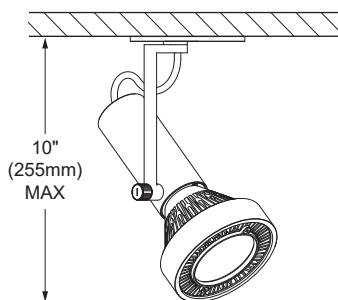
MOUNTING



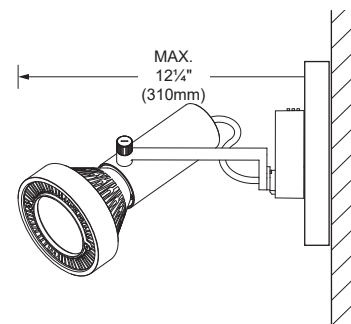
1620
Suitable for ceiling and wall



1620S1 / J / L
Suitable for ceiling



1620C
Suitable for ceiling and wall



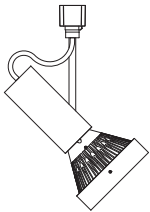
1620W
Suitable for ceiling and wall

LED COLOR FIDELITY DATA

CRI	CCT	R1	R2	R3	R4	R5	R6	R7	R8	R9	R10	R11	R12	R13	R14	R15	Rf	Rg	Melanopic ratio
80	3000K	82	92	97	83	83	90	84	61	12	81	82	75	85	99	75	86	96	0.52
	3500K	81	89	95	80	80	84	85	63	9	73	78	61	82	97	75	83	97	0.58
	4000K	80	88	93	81	80	83	87	66	10	71	79	56	82	96	74	83	95	0.67
90	2700K	91	94	93	90	89	91	93	82	60	83	89	74	91	95	88	89	101	0.44
	3000K	94	96	96	91	92	94	93	85	66	89	90	77	94	97	92	90	100	0.51
	3500K	95	98	96	92	93	94	94	88	74	91	91	74	96	97	94	90	99	0.65

PHOTOMETRIC DATA

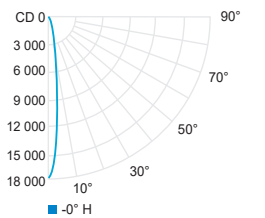
Photometric performance is measured at an accredited independent laboratory in accordance with IESNA LM-79. Visit sistemalux.com for complete photometric data.



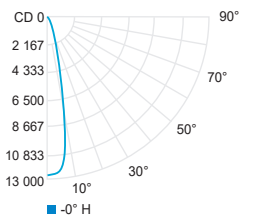
CCT (K)	CRI	OUTPUT	LOAD (W)	OPTIC	LUMENS (lm)	EFFICACY (lm/W)	MAX CANDELA (cd)	MODELS
3000K	90	BO	20.5W	Lens spot 15°	1 355	66	17 930	1620-BO-930-LSP
	80		26.5W	Spot 20°	3 020	113	12 815	1620-BO-830-20
				Narrow flood 23°	3 000	113	11 580	1620-BO-830-30
				Flood 39°	2 995	113	5 925	1620-BO-830-40
	90	HO	29.5W	Lens spot 15°	1 835	62	24 230	1620-HO-930-LSP
	80		34.5W	Spot 20°	3 720	107	15 630	1620-HO-830-20
				Narrow flood 23°	3 690	106	14 245	1620-HO-830-30
				Flood 39°	3 685	106	7 290	1620-HO-830-40

*USE MULTIPLIER TABLE FOR OTHER CCT AND CRI OUTPUT DATA

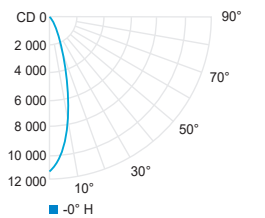
Lens spot BO 15° (3000K, 90CRI)



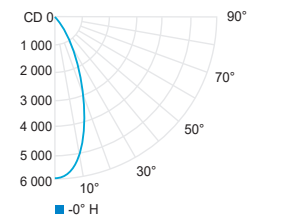
Spot BO 20° (3000K, 80CRI)



Narrow flood BO 23° (3000K, 80CRI)



Flood BO 39° (3000K, 80CRI)



Center beam fc	Beam width ft
2ft	4 483
4ft	1 121
6ft	498
8ft	280
10ft	179
12ft	125

Center beam fc	Beam width ft
2ft	3 205
4ft	801
6ft	356
8ft	200
10ft	128
12ft	89.0

Center beam fc	Beam width ft
2ft	2 896
4ft	724
6ft	322
8ft	181
10ft	116
12ft	80.4

Center beam fc	Beam width ft
2ft	1 482
4ft	371
6ft	165
8ft	92.6
10ft	59.3
12ft	41.2

	Reflector						Lens spot 15° (LSP)		
CCT options	2700K	3000K	3000K	3500K	3500K	4000K	2700K	3000K	3500K
CRI options	90CRI	90CRI	80CRI	80CRI	90CRI	80CRI	90CRI	90CRI	90CRI
Multiplier	0.80	0.84	1	1.04	0.86	1.04	0.94	1	1.02