



The Basik is a recessed downlight for commercial and residential applications. Its versatile design allows the user to tilt its entire optical assembly to a 45° angle and to rotate it to a 355° range. The entire body is made out of one piece of die-cast aluminum, thus yielding maximum heat dissipation. A spot reflector is also included inside the packaging for alternate optical properties.

Luminaire characteristics:

Power input: 14.5W
Lumens: 1105 to 1110lm (for 3000K, 90CRI)
Luminaire efficacy: Up to 76lm/W

Source: LED MODULE, LM80 tested.
2700K: 90CRI
3000K: 90CRI
3500K: 90CRI

Lumen maintenance: >80% of initial lumens at 115 000 hours (L80).

Optics: Standard flood reflector with an additional spot reflector (spot reflector to be installed by client). Each optical assembly is adjustable with a 45° tilt and a 355° pan.

Material: Body: Die cast aluminum.
Reflector: Aluminium.

Mounting: New construction with housing for insulated ceiling and chicago plenum. See page 2 for details.

Electrical: High efficiency electronic LED driver, rated 50 000 hours (120V or 120-277V).

Dimming: Leading edge (triac), trailing edge (elv) or 0-10V, down to 15%.
0-10V or Lutron Hi Lume® 1% EcoSystem™ (Soft-on, Fade to Black), down to 1%.

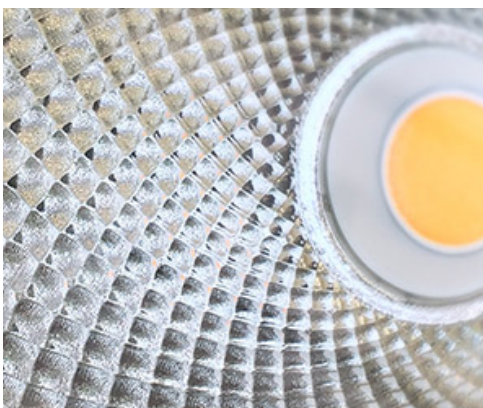
Finish: White (RAL9003) or black (RAL9004) painted finish.

Weight: 0.7lb (0.30kg)

Warranty: 5 year limited warranty.

Ratings: IP20

Certification:  cULus listed for damp location.



ORDERING INFO

2025 - - - FL -
FIXTURE

BI - 2025 - - -
MOUNTING

MODEL

2025 - BASIK

INSTALLATION TYPE

IC - Insulated ceiling **CP** - Chicago plenum

LED

927 - 2700K, 90 CRI **930** - 3000K, 90 CRI **935** - 3500K, 90 CRI

OPTIC

FL - Flood, 40° (20° spot reflector also included in the box)

VOLTAGE

120 - 120V **UNV** - 120- 277V

FINISH

01 - White **02** - Black

DIMMING

D10 - 0-10V (down to 15%)(1) **LTE** - Leading and Trailing edge dimming (120V only) (down to 15%)(1) **D2B** - Lutron Hi Lume® 1% EcoSystem™ (Soft-on, Fade to Black)(1)
 D01 - 0-10V (down to 1%)

⁽¹⁾15% dimming options: For leading and trailing edge and 0-10V (LTE and D10), the dimming levels will vary depending the dimmer used and the number of luminaires on the line.

ACCESSORIES (INCLUDED)

Spot reflector - Spot 20°

INSTALLATION OPTIONS

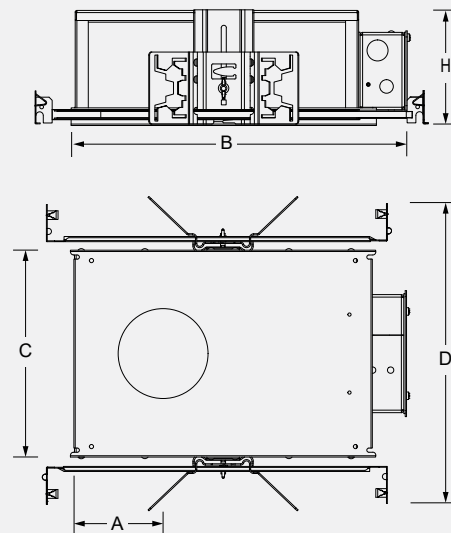
New construction with housing suitable for insulated ceiling (IC) or chicago plenum (CP)

Housing with hanger bars system for new construction installations. Suitable for insulated ceiling or Chicago Plenum applications. Housing can be shipped separately.

Ceiling thickness: 1/8" - 1" (3mm - 25mm)

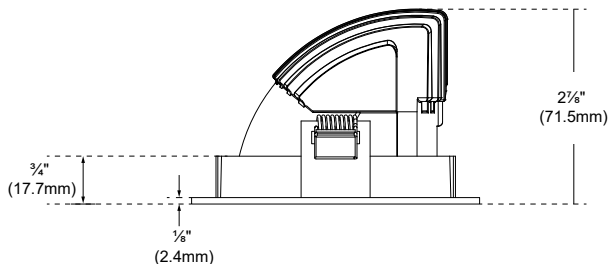
HOUSING CODES:

- BI-2025-IC/CP-UNV-D10
- BI-2025-IC/CP-120-LTE
- BI-2025-IC/CP-UNV-D01
- BI-2025-IC/CP-UNV-D2B

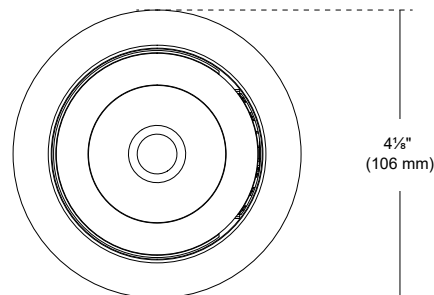


Model	New construction housing (C x B x H)	Cut-out dimensions	Cut-out position (A)	Overall dimensions (BxC)	Hanger bars (D)	Clearance (H)
2025	8 5/8" x 14 1/4" x 4 3/4" (219 x 361 x 122mm)	3 3/4" (95mm)	3 3/4" (94.5mm)	14 1/4" x 8 5/8" (361 x 219mm)	12 3/4" (323mm)	4 3/4" (122mm)

DIMENSIONS



SIDE VIEW



BOTTOM VIEW

LED COLOR FIDELITY DATA

CRI	CCT	R1	R2	R3	R4	R5	R6	R7	R8	R9	R10	R11	R12	R13	R14	R15	Rf	Rg	Melanopic ratio
90	2700K	91	94	93	90	89	91	93	82	60	83	89	74	91	95	88	89	101	0.44
	3000K	94	96	96	91	92	94	93	85	66	89	90	77	94	97	92	90	100	0.51
	3500K	95	98	96	92	93	94	94	88	74	91	91	74	96	97	94	90	99	0.65

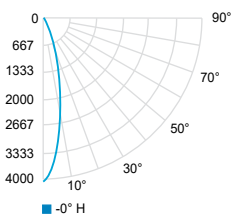
PHOTOMETRIC DATA

Photometric performance is measured at an accredited independent laboratory in accordance with IESNA LM-79. Visit sistemalux.com for complete photometric data.

CCT (K)	CRI	LOAD (W)	OPTIC	LUMENS (lm)	EFFICACY (lm/w)	MAX CANDELA (cd)	MODELS
3000K	90	14.5W	Spot 24°	1 110	76	3 950	2025-XX-930-SP
			Flood 36°	1 105	76	2 315	2025-XX-930-FL

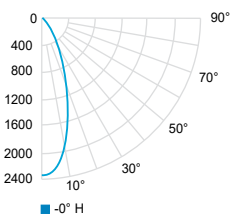
*USE MULTIPLIER TABLE FOR OTHER CCT AND CRI OUTPUT DATA

Spot 24° (3000K, 90 CRI)



Center Beam fc	Beam Width ft
2.0ft	0.9
4.0ft	1.7
6.0ft	2.6
8.0ft	3.5
10.0ft	4.3
12.0ft	5.2

Flood 36° (3000K, 90 CRI)



Center Beam fc	Beam Width ft
2.0ft	1.3
4.0ft	2.6
6.0ft	4.0
8.0ft	5.3
10.0ft	6.6
12.0ft	7.9

CCT options	2700K	3000K	3500K
CRI options	90CRI	90CRI	90CRI
Multiplier	0.95	1	0.90