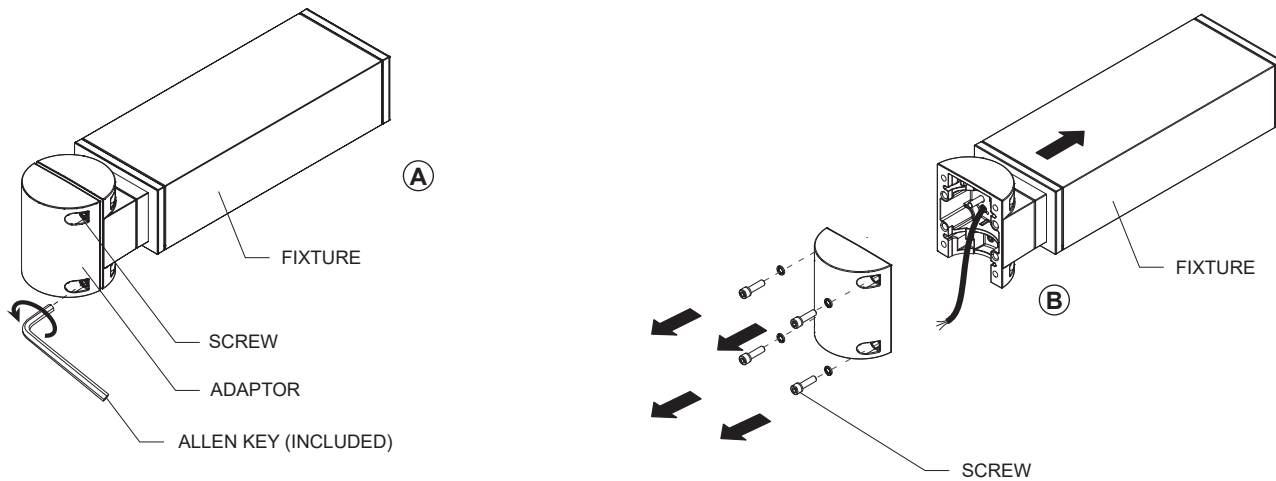


**IMPORTANT - READ CAREFULLY BEFORE INSTALLING FIXTURE. RETAIN THESE INSTRUCTIONS FOR FUTURE REFERENCE.**  
 THIS PRODUCT MUST BE INSTALLED IN ACCORDANCE WITH THE NATIONAL ELECTRICAL CODE AND ALL APPLICABLE LOCAL CODES, BY A PERSON FAMILIAR WITH THE CONSTRUCTION AND OPERATION OF THE PRODUCT, AND THE HAZARDS INVOLVED. PROPER GROUNDING IS REQUIRED FOR SAFETY.

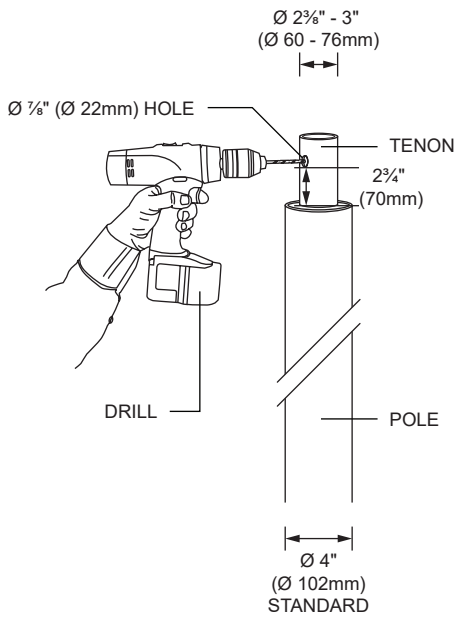
**PARK ON POLE INSTALLATION (S7120-S7140)**  
**INTEGRAL DRIVER (120-277V)**  
**DIMMING 0-10V**

- A- UNFASTEN THE SCREWS OF THE FIXTURE ADAPTOR WITH THE ALLEN KEY (INCLUDED).
- B- OPEN THE FIXTURE ADAPTOR.
- C- PRE DRILL A HOLE (Ø 7/8") FOR THE POWER CABLE INTO THE TENON.
- D- PASS CABLE THROUGH THE HOLE.

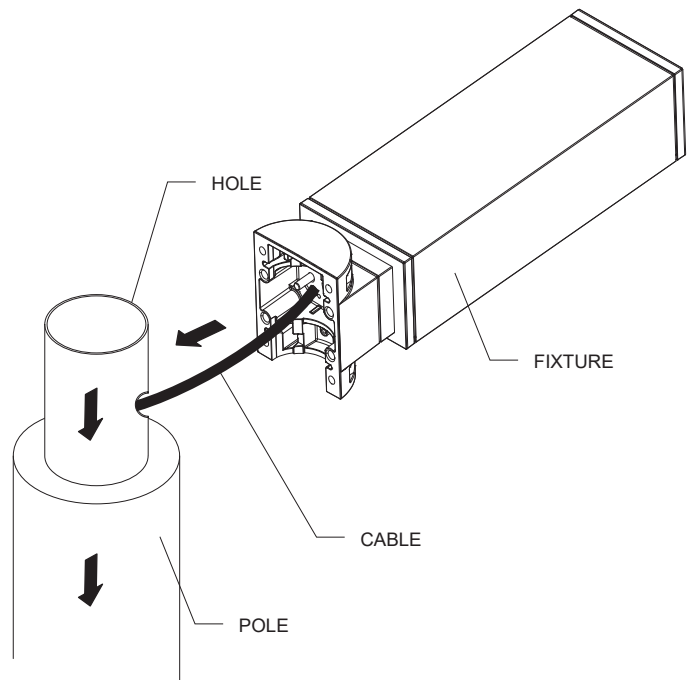
**A + B**



**C**



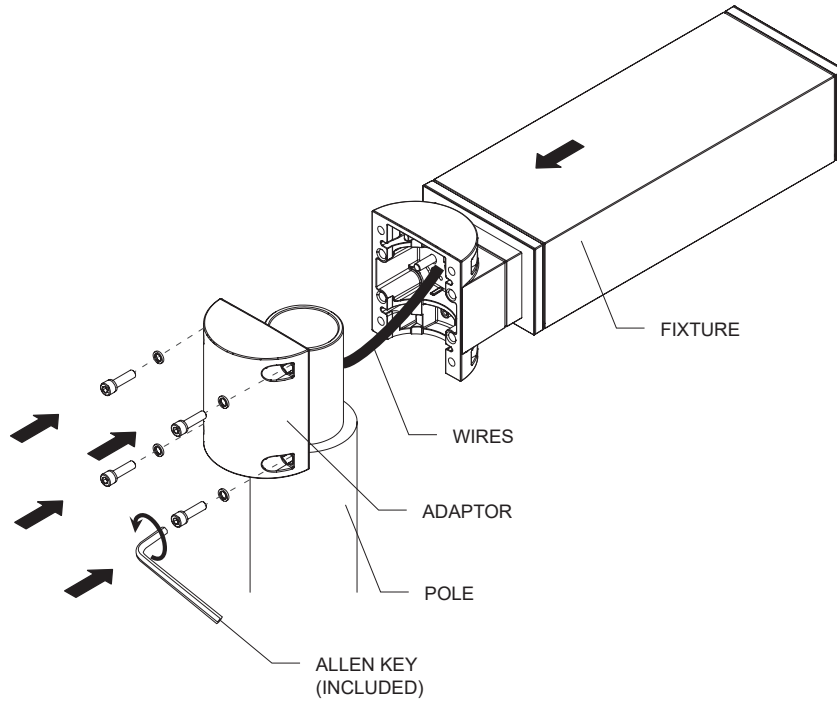
**D**



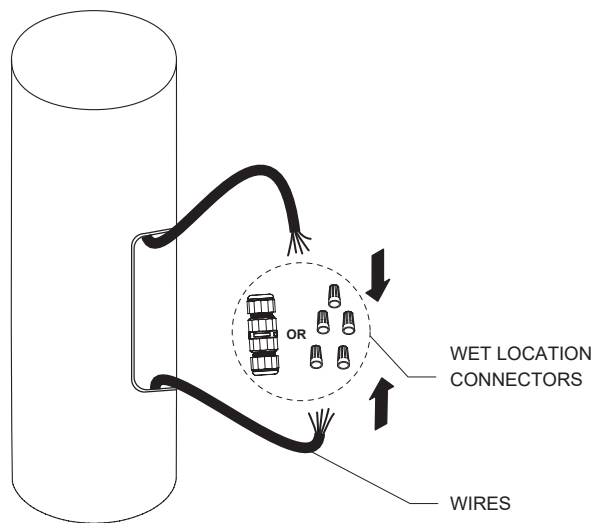
**PARK ON POLE INSTALLATION (S7120-S7140)  
INTEGRAL DRIVER (120-277V)  
DIMMING 0-10V**

- E- PUSH FRONT AND BACK OF THE FIXTURE ON THE POLE'S TENON AND FASTEN THE (4) SCREWS.
- F- MAKE CONNECTIONS AT THE BASE OF THE POLE USING WET LOCATION CONNECTORS.

**E**

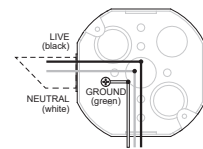


**F**



**WIRING DIAGRAM**

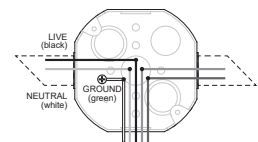
NO DIMMING



FIXTURE CABLES

**WIRING DIAGRAM**

DIMMING 120-277V  
0-10V (D10)



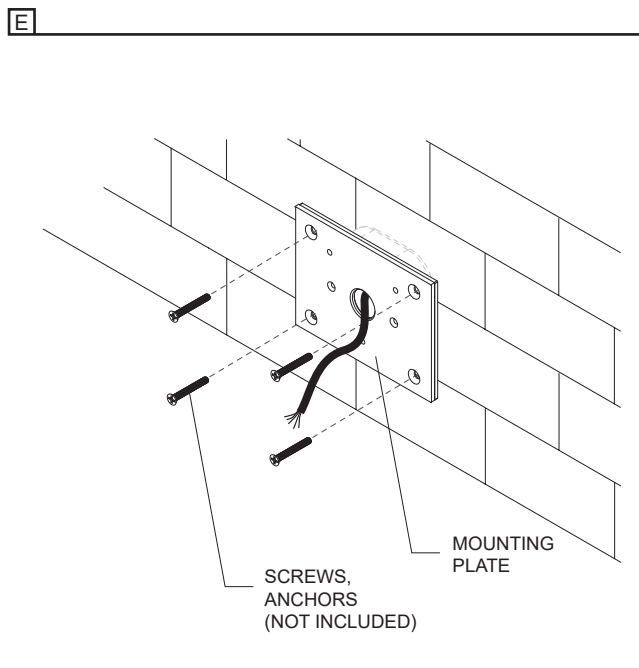
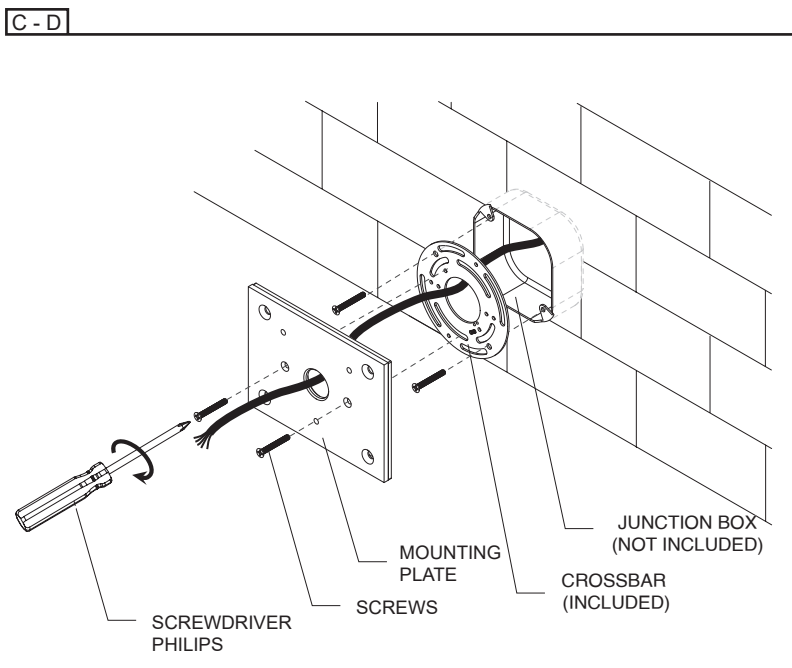
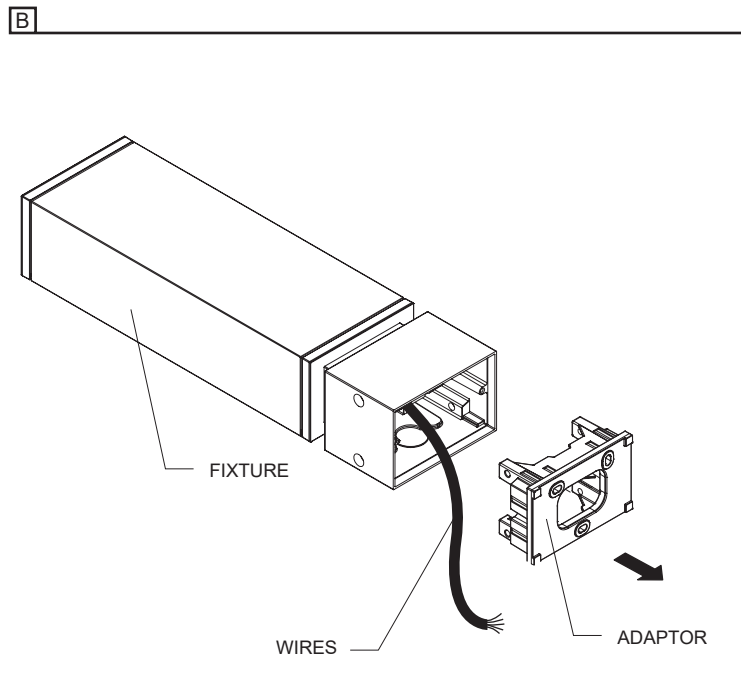
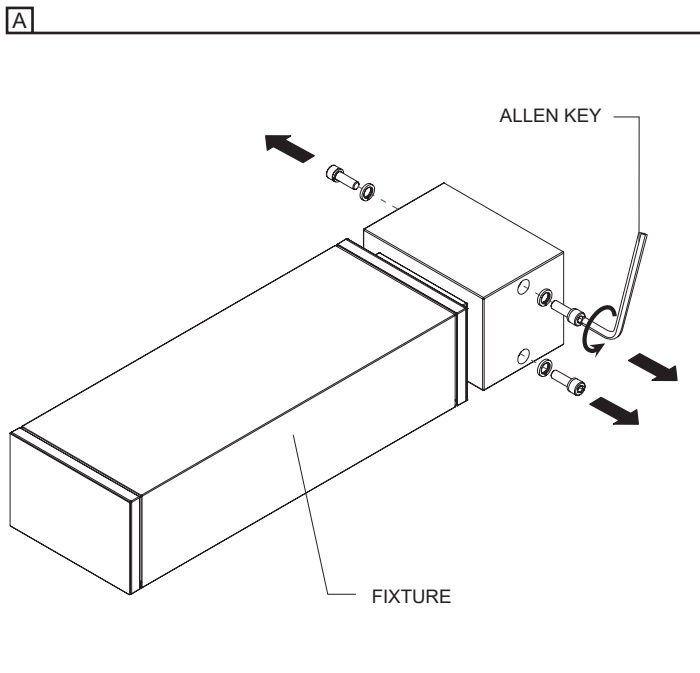
FIXTURE CABLES



**If the wires for 0-10v dimming are not used, protect wire ends with twist connectors.**

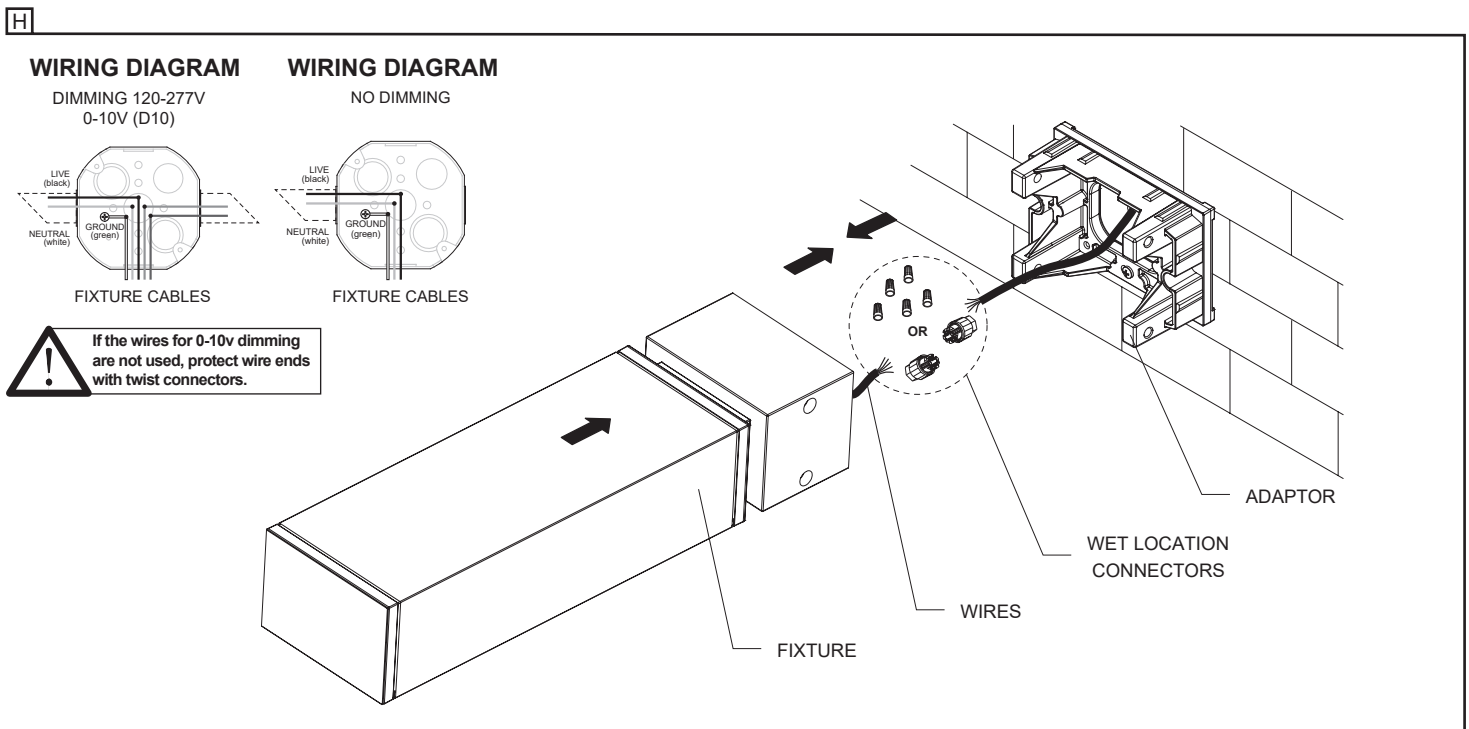
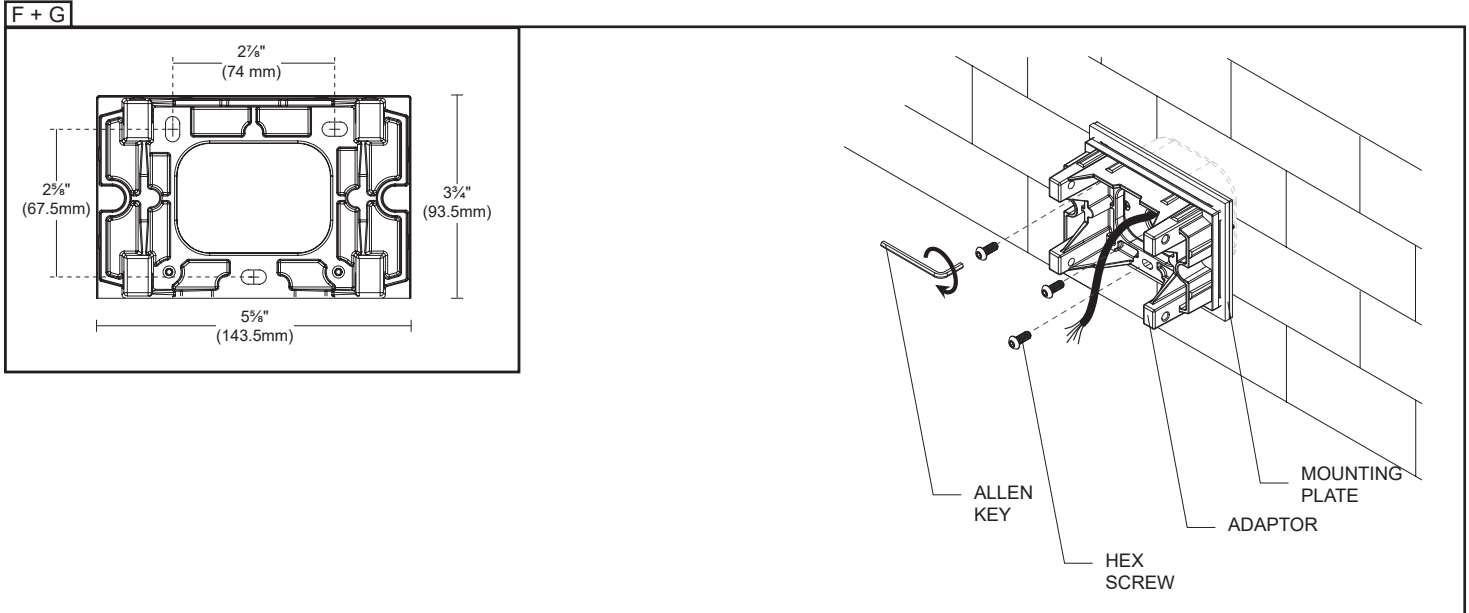
**PARK ON WALL INSTALLATION (S7130 - S7150)  
INTEGRAL DRIVER (120-277V)  
DIMMING 0-10V**

- A- UNFASTEN THE SCREWS OF THE FIXTURE ADAPTOR WITH THE ALLEN KEY (**INCLUDED**).
- B- OPEN THE FIXTURE ADAPTOR.
- C- FASTEN THE CROSSBAR TO THE JUNCTION BOX USING (2) PHILIPS SCREWS (**NOT INCLUDED**) AND PASS THE WIRES THROUGH.
- D- PASS THE WIRES THROUGH THE MOUNTING PLATE. FASTEN THE MOUNTING PLATE TO THE CROSSBAR USING (2) SCREWS (**INCLUDED**).
- E- INSTALL THE MOUNTING PLATE TO THE WALL USING APPROPRIATE ANCHORS.



**PARK ON WALL INSTALLATION (S7130 - S7150)  
INTEGRAL DRIVER (120-277V)  
DIMMING 0-10V**

- F- PASS THE WIRES THROUGH THE ADAPTOR.
- G- FASTEN THE ADAPTOR ON THE MOUNTING PLATE WITH THE HEX SCREWS.
- H- MAKE CONNECTIONS USING WET LOCATION CONNECTORS.



**PARK ON WALL INSTALLATION (S7130 - S7150)  
INTEGRAL DRIVER (120-277V)  
DIMMING 0-10V**

I- INSTALL FIXTURE ON THE ADAPTOR BY FASTENING THE SCREWS (4) WITH THE ALLEN KEY (INCLUDED)

1

