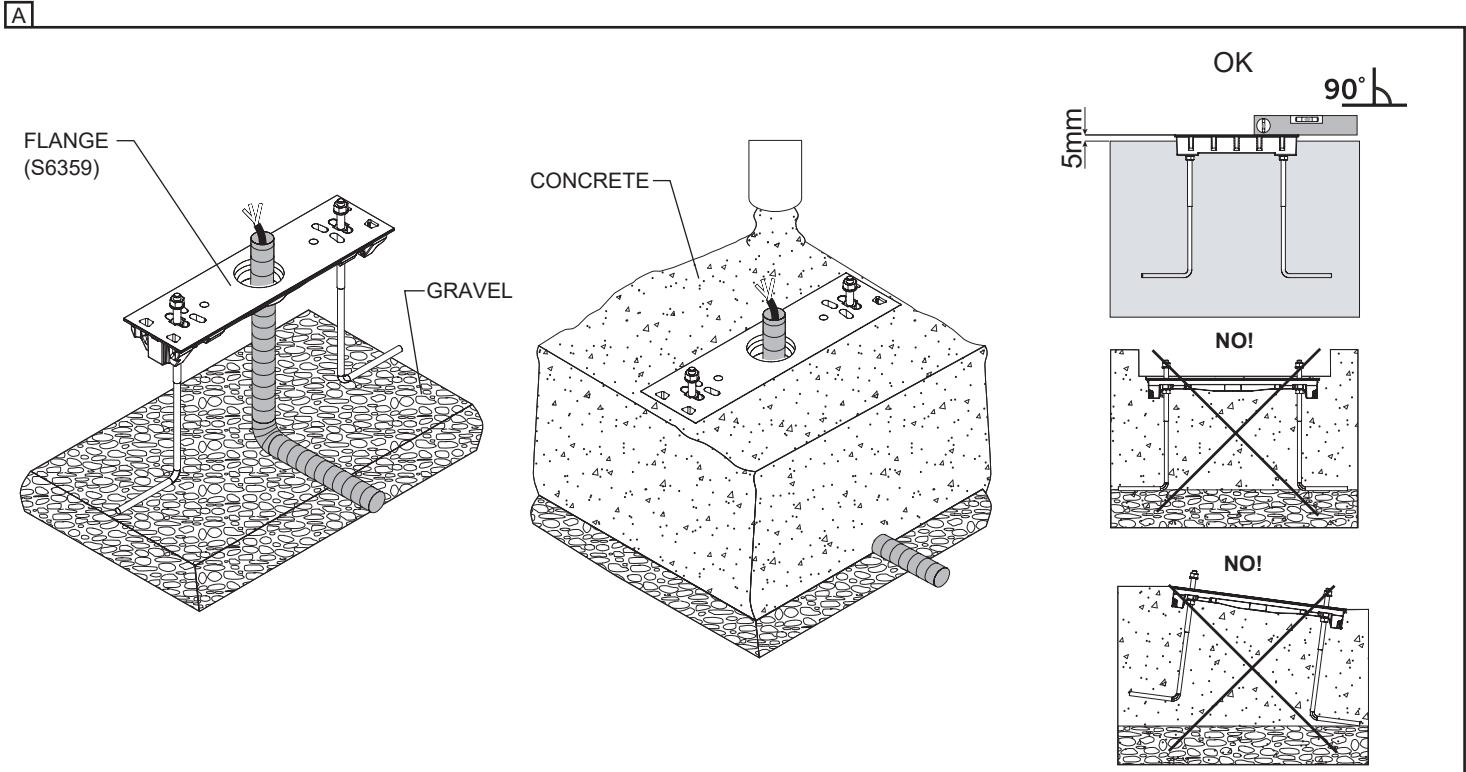


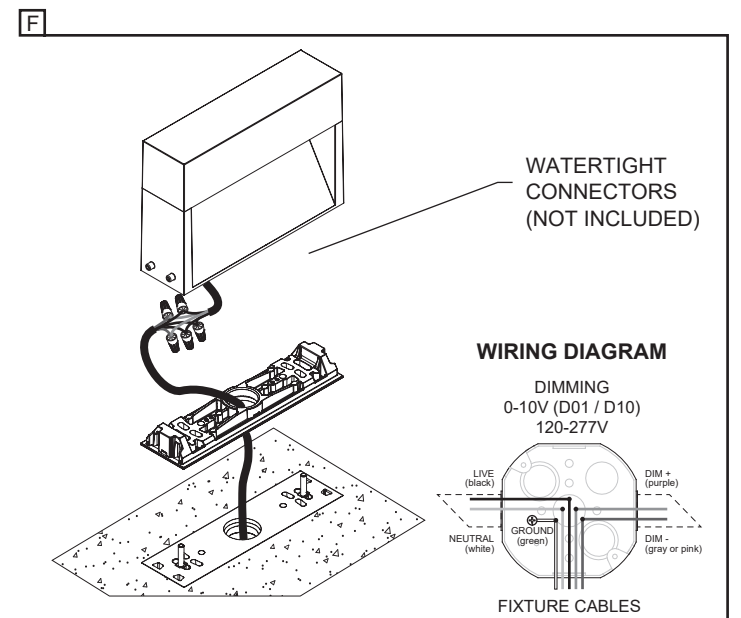
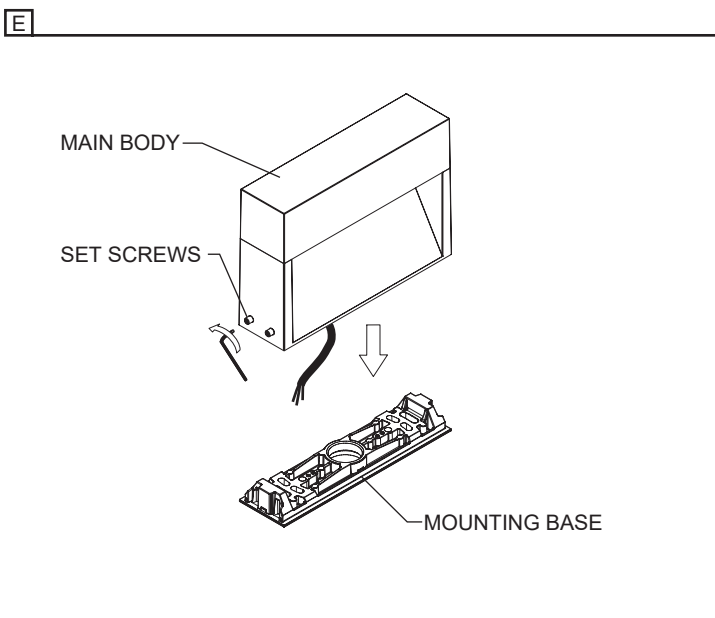
IMPORTANT - READ CAREFULLY BEFORE INSTALLING FIXTURE. RETAIN THESE INSTRUCTIONS FOR FUTURE REFERENCE. THIS PRODUCT MUST BE INSTALLED IN ACCORDANCE WITH THE NATIONAL ELECTRICAL CODE AND ALL APPLICABLE LOCAL CODES, BY A PERSON FAMILIAR WITH THE CONSTRUCTION AND OPERATION OF THE PRODUCT, AND THE HAZARDS INVOLVED. PROPER GROUNDING IS REQUIRED FOR SAFETY.

INSTALLATION IN CONCRETE WITH FLANGE - WITH INTEGRAL DRIVER (120-277V) DIMMING 0-10V (D10)

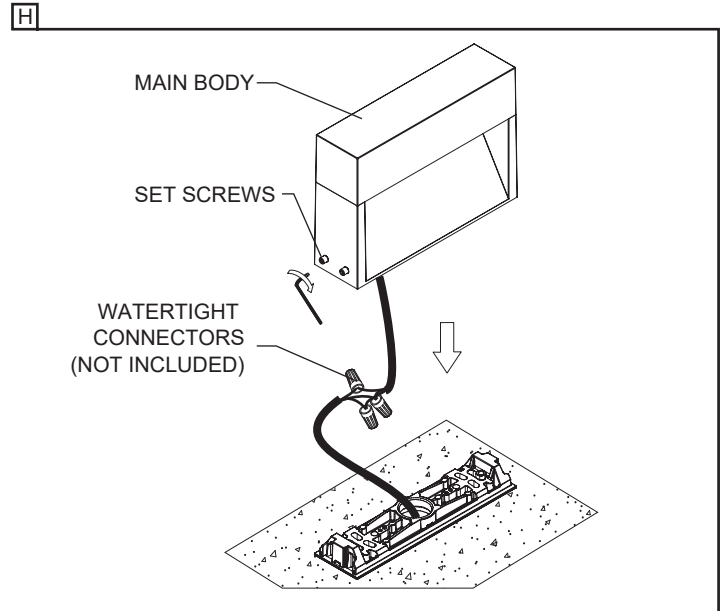
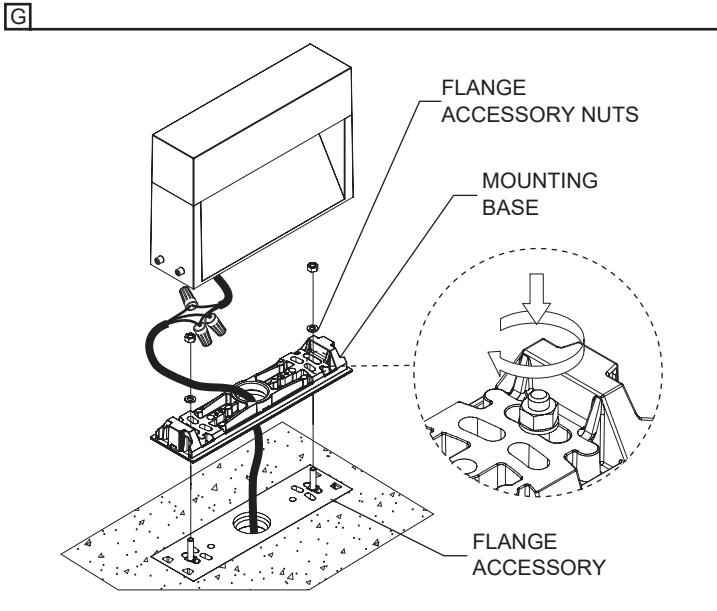
- A- PREPARE THE DESIRED DRAINING USING GRAVEL UNDER THE FLANGE.
- B- INSTALL AN APPROPRIATE ELECTRICAL CONDUIT (NOT INCLUDED) THROUGH THE FLANGE.
- C- FEED CABLE THROUGH THE ELECTRICAL CONDUIT.
- D- POUR CONCRETE IN AND MAKE SURE THAT IT IS LEVELED AND IT SITS 5MM UNDER THE TOP OF THE FLANGE



- E- UNFASTEN THE SET (4) SCREWS WITH THE ALLEN KEY (**INCLUDED**) AND PULL MOUNTING BASE OFF THE MAIN BODY. DO NOT COMPLETELY REMOVE SCREWS
- F- MAKE ALL WIRE CONNECTIONS (**FOLLOWING POLARITY MARKING**) WITH WATERTIGHT CONNECTORS (**NOT INCLUDED**). PLACE THEM INTO THE MAIN BODY.



- G- FASTEN MOUNTING BASE TO FLANGE ACCESSORY USING (2) FLANGE ACCESSORY NUTS (**INCLUDED**).
H- PLACE MAIN BODY INTO MOUNTING BASE AND FASTEN SET SCREWS.



INSTALLATION WITHOUT FLANGE

- A- UNFASTEN THE (4) SET SCREWS WITH ALLEN KEY (**INCLUDED**) AND PULL MOUNTING BASE OFF THE MAIN BODY.
B- FASTEN MOUNTING BASE TO SURFACE USING APPROPRIATE (2) ANCHORS (**NOT INCLUDED**) AND (2) SCREWS (**NOT INCLUDED**).
C- MAKE ALL WIRE CONNECTORS (**FOLLOWING POLARITY MARKING**) WITH WATERTIGHT CONNECTORS (**NOT INCLUDED**.) PLACE THEM INTO THE MAIN BODY. PLACE THE MAIN BODY INTO THE MOUNTING BASE AND FASTEN SET SCREWS.

