

IMPORTANT - READ CAREFULLY BEFORE INSTALLING FIXTURE. RETAIN THESE INSTRUCTIONS FOR FUTURE REFERENCE. THIS PRODUCT MUST BE INSTALLED IN ACCORDANCE WITH THE NATIONAL ELECTRICAL CODE AND ALL APPLICABLE LOCAL CODES, BY A PERSON FAMILIAR WITH THE CONSTRUCTION AND OPERATION OF THE PRODUCT, AND THE HAZARDS INVOLVED. PROPER GROUNDING IS REQUIRED FOR SAFETY.

⚠ DISCONNECT THE MAIN LINE BEFORE WIRING SECONDARY CONNECTORS.

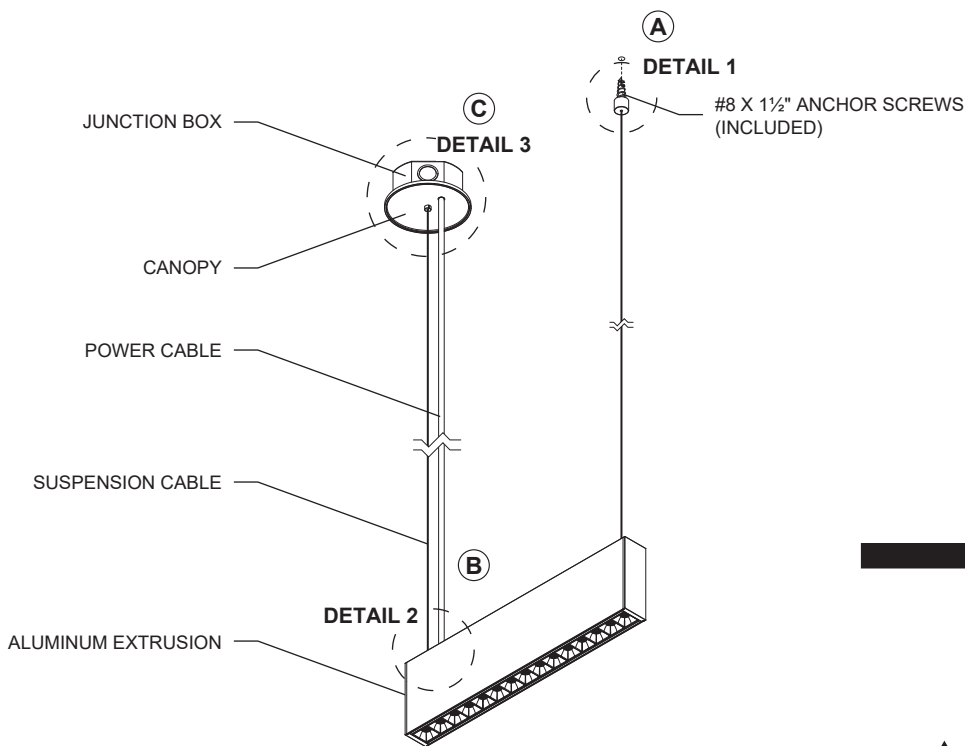
SINGLE UNIT INSTALLATION - REMOTE DRIVER (REM)

- A- PREPARE CEILING WITH ANCHOR SCREWS (SEE ANCHOR DISTANCE ON P.4). **DETAIL 1:**
- 1- PASS SCREW THROUGH THREADED RING AND SECURE SCREW INTO PLASTIC ANCHOR SCREW.
 - 2- PASS SUSPENSION CABLE THROUGH MOUNTING COUPLING.
 - 3- FASTEN MOUNTING COUPLING TO THREADED RING.
- B- FIX SUSPENSION CABLE TO ALUMINUM EXTRUSION (SEE **DETAIL 2** ON P.2).
- C- CANOPY INSTALLATION AND JUNCTION BOX WIRING (SEE **DETAIL 3** ON P.3).

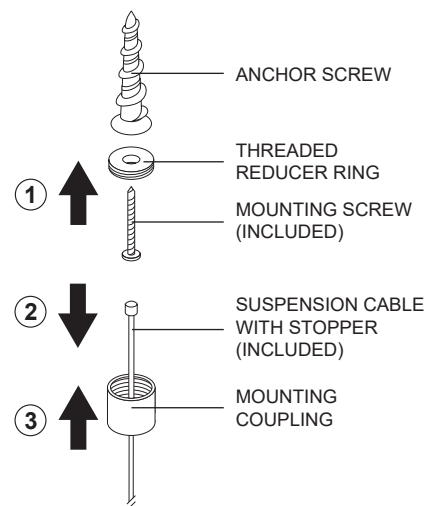
A + B + C

CONFIGURATION:

FULL WITH LB05/LB10/LB15



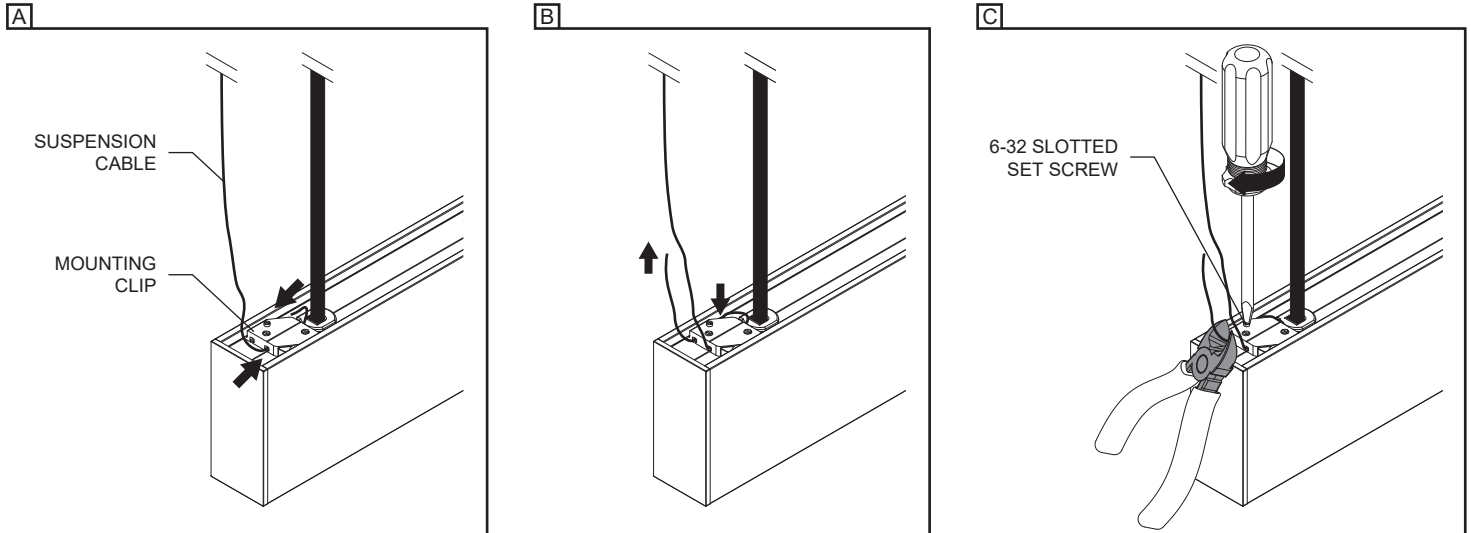
DETAIL 1



DETAIL 2 - COMPACT PROFILE MECHANICAL ASSEMBLY (3660)

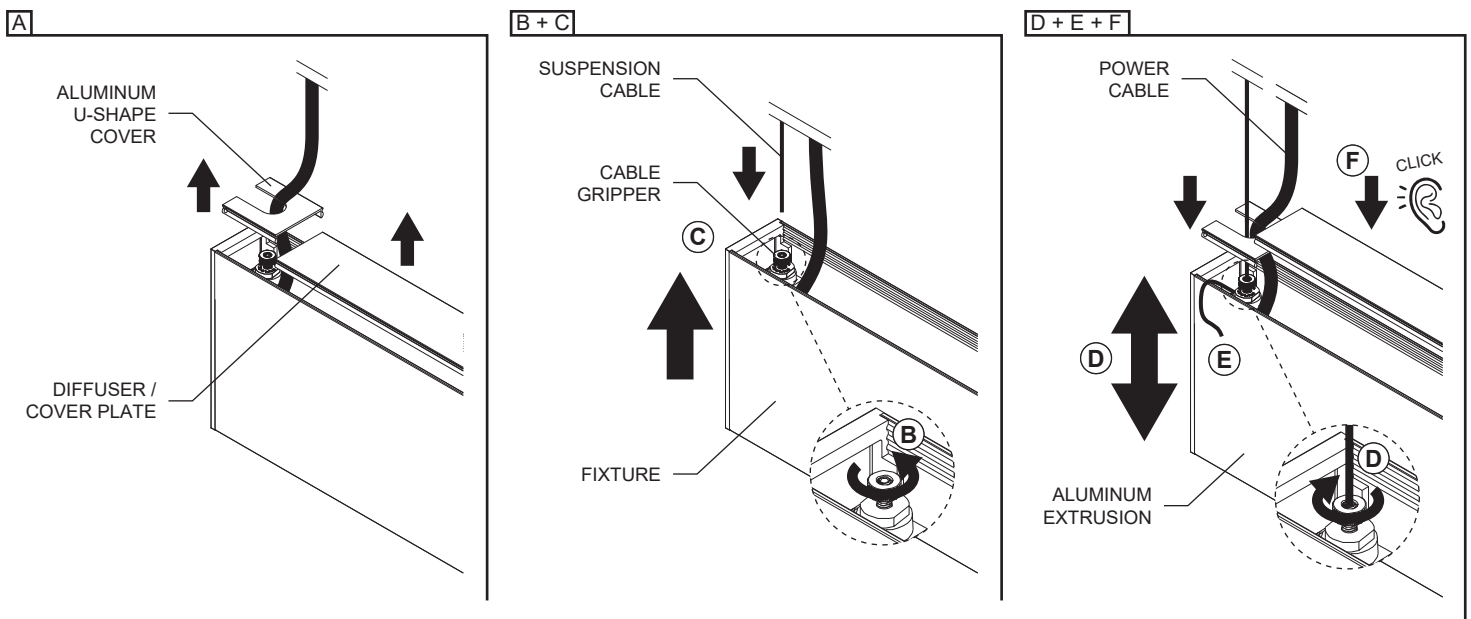
NOTICE: IDENTIFY UNITS WITH 2 MOUNTING CLIPS. THESE SUSPENDED UNITS HAVE TO BE THE FIRST INSTALLED.

- A- PASS THE SUSPENSION CABLE THROUGH THE MOUNTING CLIP.
- B- ADJUST THE FIXTURE HEIGHT SLIDING SUSPENSION CABLE THROUGH THE MOUNTING CLIP. FEED CABLE THROUGH THE MOUNTING CLIP BEFORE PULLING ON THE CABLE END.
- C- TIGHTEN DOWN THE 6-32 SLOTTED SET SCREW TO LOCK THE SUSPENSION CABLE TO THE APPROPRIATE HEIGHT. CUT THE EXCESS SUSPENSION CABLE END.



DETAIL 2 - HIGH PROFILE MECHANICAL ASSEMBLY (3650)

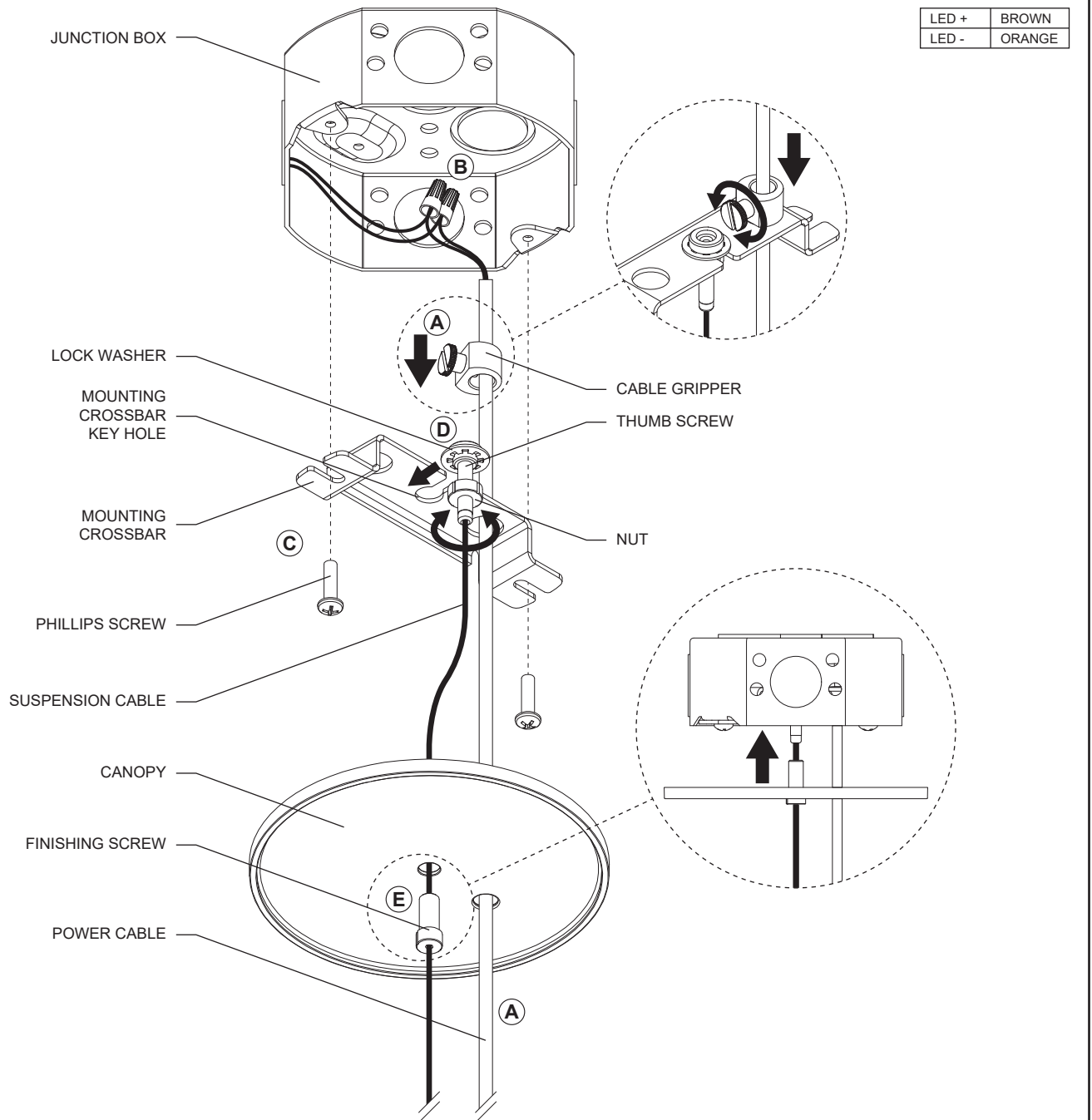
- A- REMOVE ALUMINUM U-SHAPE COVER AND DIFFUSER / COVER PLATE (IF NECESSARY).
- B- UNFASTEN CABLE GRIPPER SECURITY NUT TO RELEASE CABLE GRIPPING SYSTEM. DO NOT COMPLETELY REMOVE THE SCREW.
- C- LIFT THE FIXTURE TO THE SUSPENSION CABLE AND INSERT THE SUSPENSION CABLE THROUGH THE CABLE GRIPPER.
- D- SET THE UNIT TO THE APPROPRIATE HEIGHT AND FASTEN THE CABLE GRIPPER.
- E- CUT THE EXCESS SUSPENSION CABLE END.
- F- SNAP THE COVER PLATE / DIFFUSER AND THE U-SHAPE COVER BACK ON THE ALUMINUM EXTRUSION. BOTH SUSPENSION CABLE AND POWER CABLE MUST GO THROUGH U-TYPE OPENING.



DETAIL 3 - CANOPY INSTALLATION

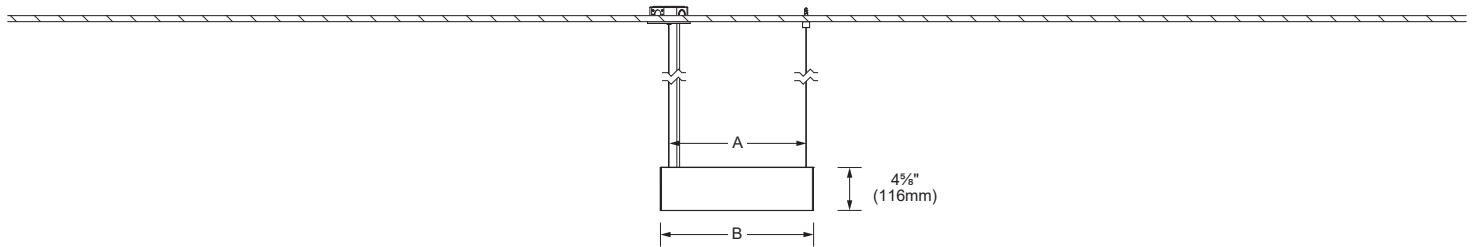
- A- RUN THE POWER CABLE THROUGH THE CANOPY AND THROUGH THE MOUNTING CROSSBAR HOLE. ADJUST THE CABLE LENGTH AND SECURE IT USING THE CABLE GRIPPER TO LOCK IT'S POSITION AGAINST THE MOUNTING CROSSBAR.
- B- MAKE NECESSARY WIRE CONNECTIONS (**SEE WIRING DIAGRAM**) USING TWIST CONNECTORS (**NOT INCLUDED**).
FOR DIMMING 0-10V: WIRES MUST BE RUN THROUGH A SEPARATE KNOCKOUT HOLE WHEN CONNECTING DIMMING CONTROLLER.
- C- INSTALL THE MOUNTING CROSSBAR USING (2) PHILLIPS SCREWS (**INCLUDED**).
- D- PASS THE THUMB SCREW INTO THE MOUNTING CROSSBAR KEY HOLE WITH IT'S LOCK WASHER ON TOP. HOLD THE SUSPENSION CABLE DOWN AT THE DESIRED POSITION AND SECURE WITH THE PROVIDED NUT.
- E- SECURE THE CANOPY BY SCREWING THE CANOPY'S FINISHING SCREW ON THE MOUNTING CROSSBAR'S THUMB SCREW.

A+B+C+D+E

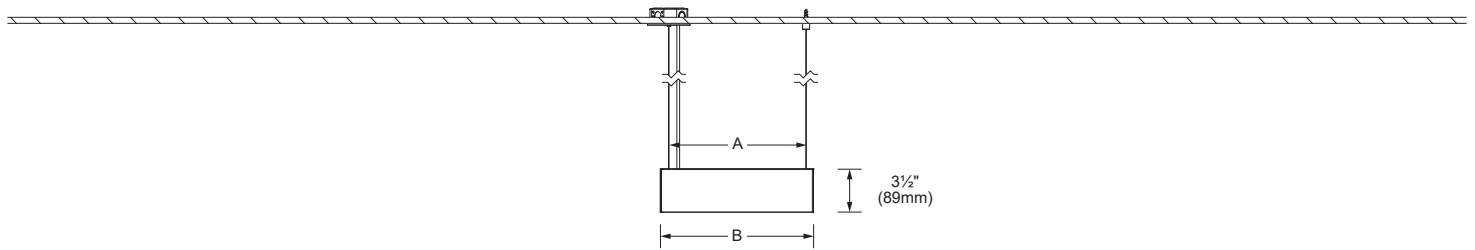


ANCHOR DISTANCE LAYOUT

HIGH PROFILE (3650)



COMPACT PROFILE (3660)



ANCHOR POINTS FOR LINEAR SURFACE HIGH PROFILE (3650)		
Configuration	Actual length (A)	Anchor distance (B)
FULL-LB05	5 3/4" (147mm)	3 3/4" (95mm)
FULL-LB10	11" (280mm)	9" (228mm)
FULL-LB15	16 1/4" (412mm)	14 1/8" (359mm)

ANCHOR POINTS FOR LINEAR SURFACE COMPACT PROFILE (3660)		
Configuration	Actual length (A)	Anchor distance (B)
FULL-LB05	5 3/4" (147mm)	4 1/2" (114mm)
FULL-LB10	11" (280mm)	9 1/2" (241mm)
FULL-LB15	16 1/4" (412mm)	14 3/4" (375mm)