

IMPORTANT - READ CAREFULLY BEFORE INSTALLING FIXTURE. RETAIN THESE INSTRUCTIONS FOR FUTURE REFERENCE.
THIS PRODUCT MUST BE INSTALLED IN ACCORDANCE WITH THE NATIONAL ELECTRICAL CODE AND ALL APPLICABLE LOCAL CODES, BY A PERSON FAMILIAR WITH THE CONSTRUCTION AND OPERATION OF THE PRODUCT, AND THE HAZARDS INVOLVED. PROPER GROUNDING IS REQUIRED FOR SAFETY.

SURFACE INSTALLATION ON 4" JUNCTION BOX. INTEGRAL DRIVER (120V - 277V)

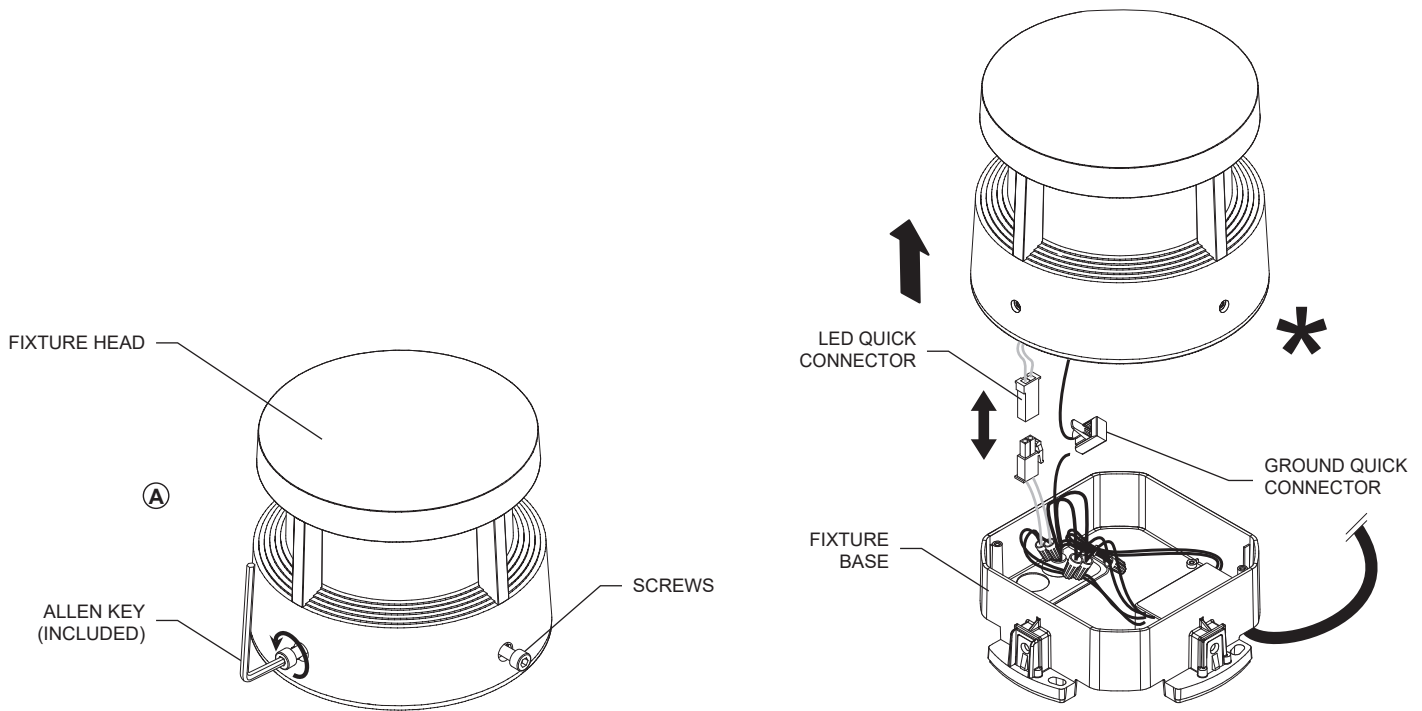
⚠️ DISCONNECT THE MAIN LINE BEFORE INSTALLATION TO AVOID ELECTRICAL SHOCK OR DAMAGE TO LED ARRAY.

A- UNFASTEN THE FIXTURE HEAD (4) SCREWS WITH AN ALLEN KEY (INCLUDED) AND REMOVE IT.

*BEFORE FULLY REMOVING THE FIXTURE HEAD, DISCONNECT THE LED AND GROUND QUICK CONNECTORS.

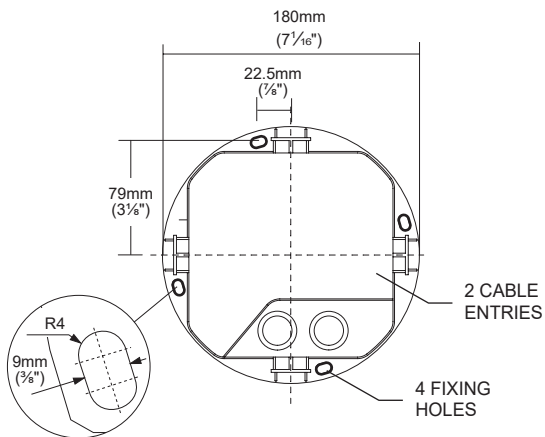
B- PREPARE SURFACE FOR INSTALLATION (SEE DRAWING BELOW FOR ORIENTATION).

A

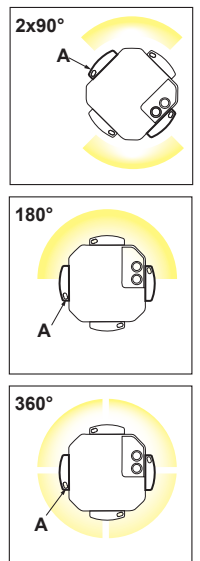
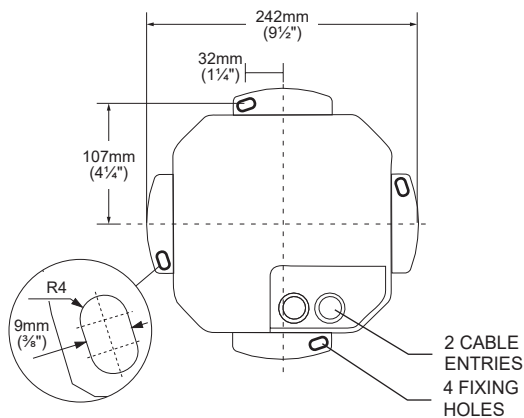


B

MINIREEF

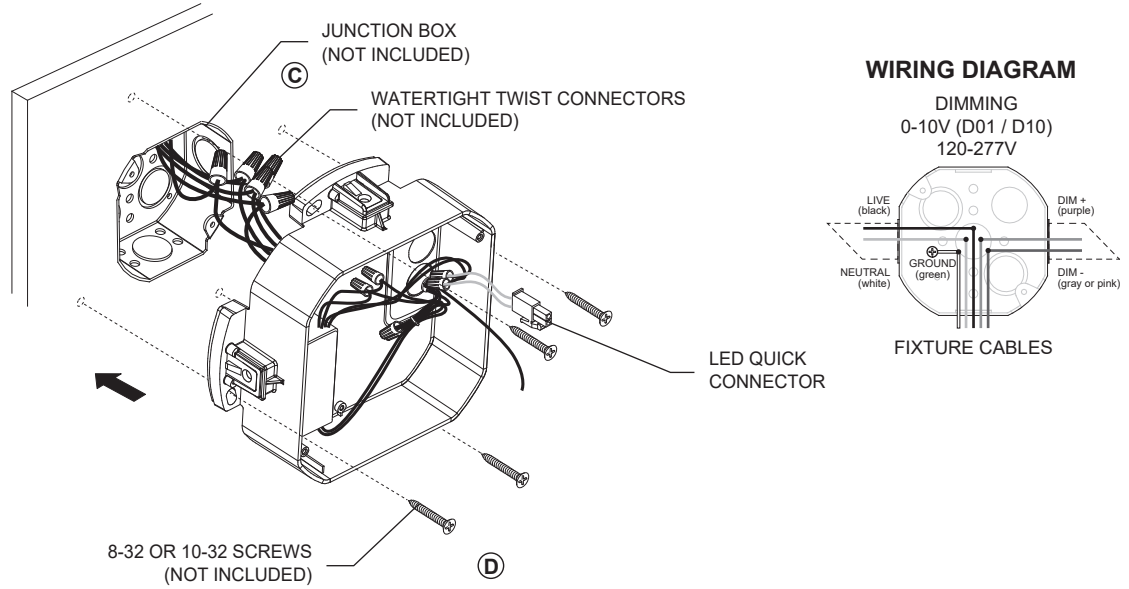


REEF

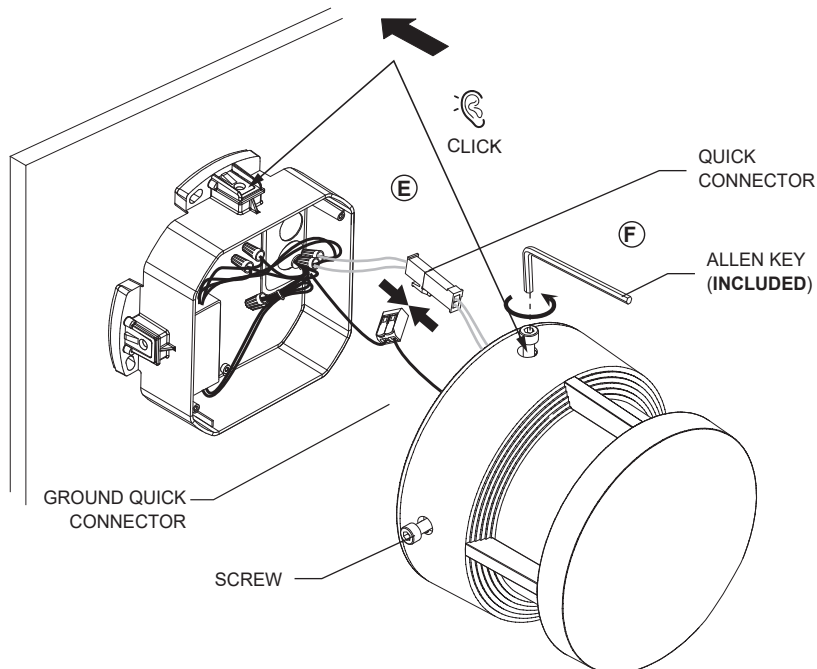


- C- MAKE ALL NECESSARY CONNECTIONS (**FOLLOWING WIRING DIAGRAM**) USING TWIST CONNECTORS (**NOT INCLUDED**).
- D- FASTEN THE FIXTURE BASE TO THE SURFACE WITH (4) SCREWS (**NOT INCLUDED**).
- E- RECONNECT THE FIXTURE HEAD TO THE BASE, USING THE LED AND GROUND QUICK CONNECTOR.
- F- TIGHTEN THE (4) SCREWS AROUND THE HEAD.

C + D



E + F

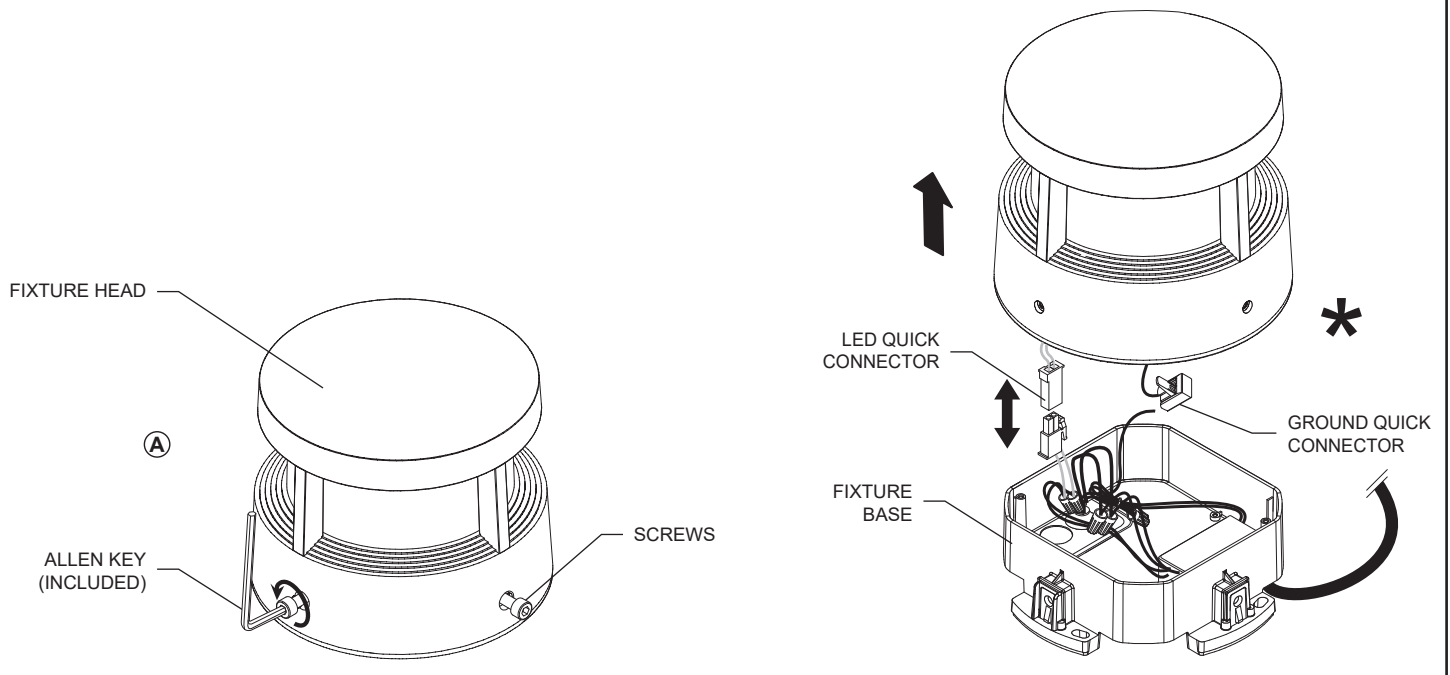


GROUND INSTALLATION IN CONCRETE WITH FLANGE (S5301, S5200, S5203). INTEGRAL DRIVER (120V - 277V)

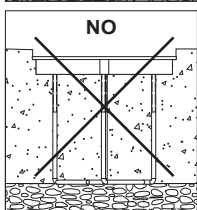
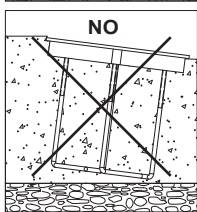
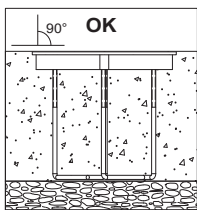
⚠ DISCONNECT THE MAIN LINE BEFORE INSTALLATION TO AVOID ELECTRICAL SHOCK OR DAMAGE TO LED ARRAY.

- A- UNFASTEN THE FIXTURE HEAD (4) SCREWS WITH AN ALLEN KEY (**INCLUDED**) AND REMOVE IT.
*BEFORE FULLY REMOVING THE FIXTURE HEAD, DISCONNECT THE LED AND GROUND QUICK CONNECTORS.
- B- DIG A HOLE (**SEE DIMENSION BELOW**), PUT THE FLANGE AND ELECTRICAL CONDUIT INTO THE GROUND. POUR CONCRETE AND MAKE SURE IT IS LEVELED WITH THE FLANGE. DEPENDING ON MODEL ORDERED, SEE DRAWING BELOW TO POSITION FLANGE FOR OPTIMAL BEAM ORIENTATION.
- C- RECONNECT THE FIXTURE HEAD TO THE BASE, USING THE LED AND GROUND QUICK CONNECTOR.
- D- TIGHTEN THE (4) SCREWS AROUND THE HEAD.

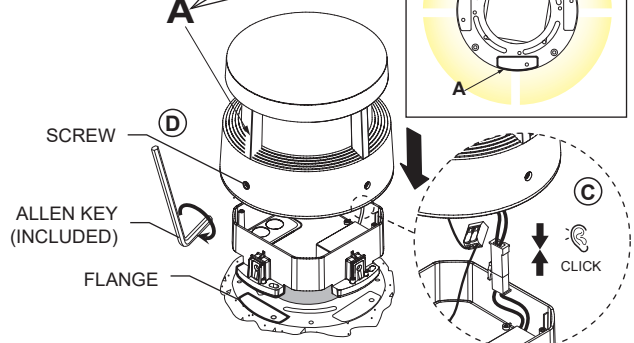
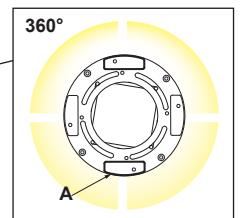
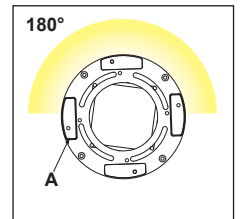
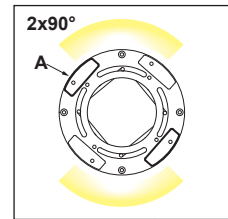
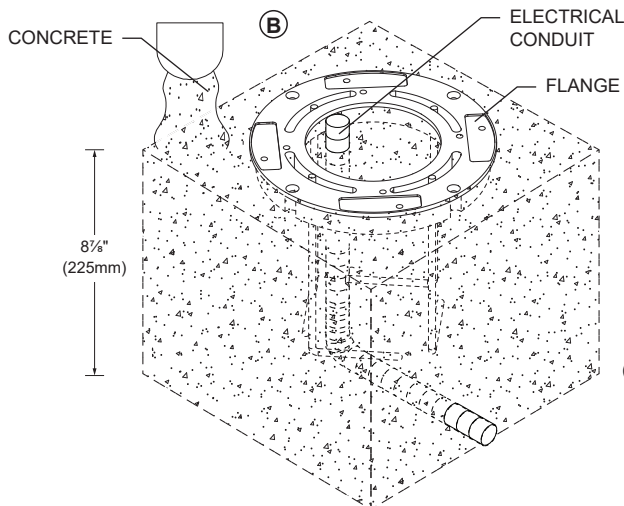
A



B+C+D



Model	Model Code	Flange code	Flange dimensions
MINIREEF	S5240, S5243, S5253, S5263	S5200	7½" x 8⅝" (190 x 225mm)
REEF	S5247, S5257, S5267, S5297	S5203	10⅞" x 8⅝" (250 x 225mm)



**GROUND INSTALLATION ON STAKE (S3524, S3554).
INTEGRAL DRIVER (120V - 277V)**

- A- 1- USE A RUBBER Mallet TO INSERT STAKE INTO THE GROUND.
- 2- INSERT STAKE TO THE FIRST DISC TO INSURE A LEVELED POSITION WITH THE GROUND.
- B- ALIGN THE (4) FIXING HOLES UNDER THE FIXTURE BASE TO THE TOP OF THE STAKE.
- C- FEED THE 3' CABLE THROUGH THE STAKE'S CABLE ENTRY HOLE AND USE (4) PHILLIPS SCREWS (INCLUDED) TO INSTALL THE FIXTURE ON THE STAKE. FIX THE POWER CABLE TO THE STAKE USING THE CABLE LOCK (INCLUDED).
- D- BRING THE 3' POWER CABLE TO THE JUNCTION BOX (SUPPLIED BY CONTRACTOR).

