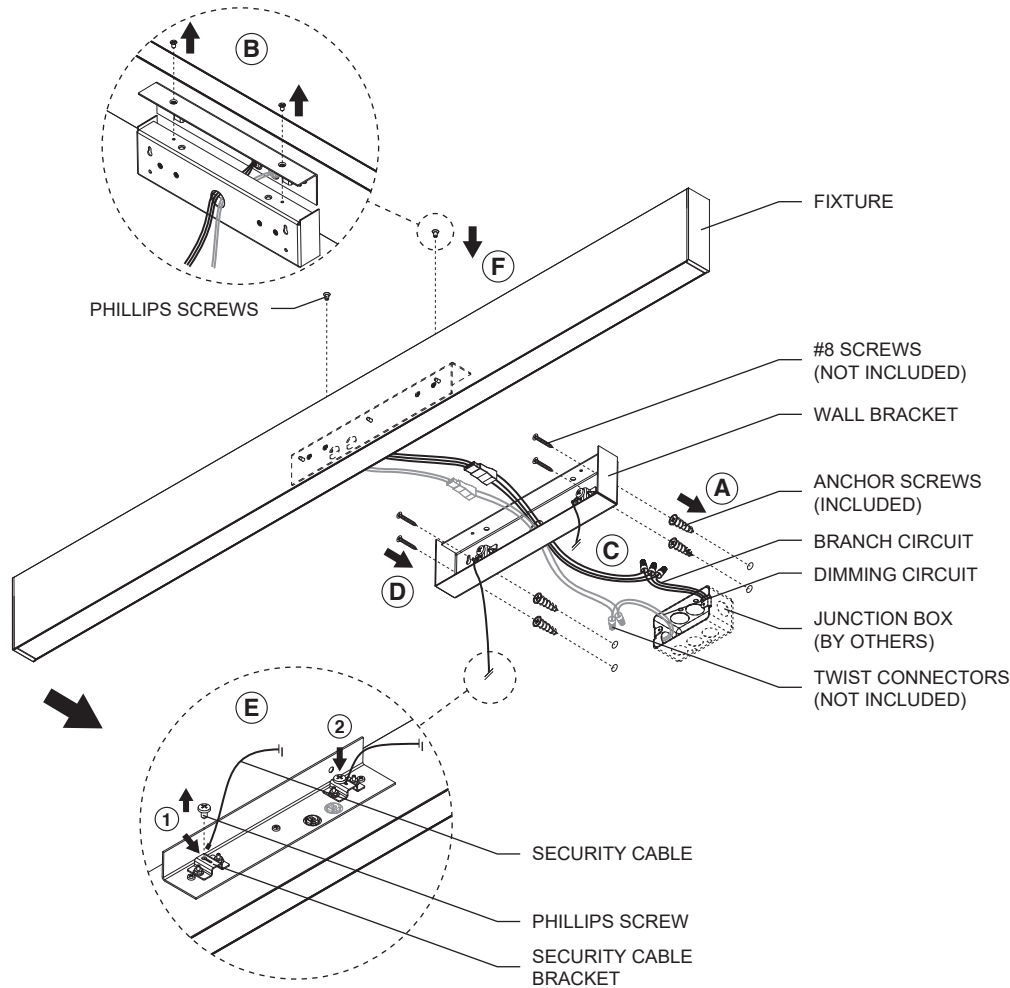


**IMPORTANT** - READ CAREFULLY BEFORE INSTALLING FIXTURE. RETAIN THESE INSTRUCTIONS FOR FUTURE REFERENCE.

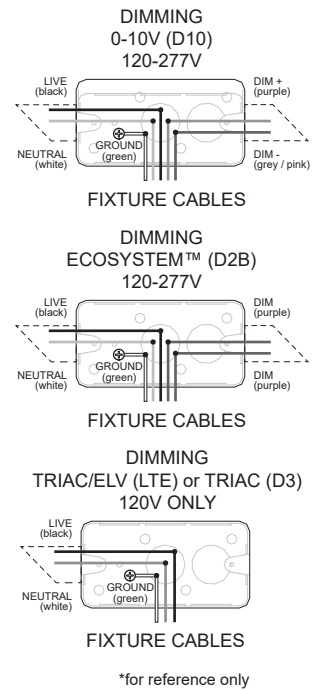
THIS PRODUCT MUST BE INSTALLED IN ACCORDANCE WITH THE NATIONAL ELECTRICAL CODE AND ALL APPLICABLE LOCAL CODES, BY A PERSON FAMILIAR WITH THE CONSTRUCTION AND OPERATION OF THE PRODUCT, AND THE HAZARDS INVOLVED. PROPER GROUNDING IS REQUIRED FOR SAFETY.

## IN-LINE UNIT INSTALLATION INTEGRAL DRIVER (120 / 277V) DIMMING TRIAC/ELV OR 0-10V (15%), LUTRON HI-LUME® (1% EcoSystem™ / 1% 2-WIRE)

- A- PREPARE THE WALL WITH ANCHOR SCREWS (SEE ANCHOR DISTANCE ON P.3).
- B- UNSCREW THE (2) PHILLIPS SCREWS ON TOP OF THE FIXTURE'S WALL BRACKET TO SEPARATE THE WALL BRACKET FROM THE FIXTURE.
- C- MAKE NECESSARY WIRE CONNECTIONS (SEE WIRING DIAGRAM) USING TWIST CONNECTORS (NOT INCLUDED).
- FOR D10 AND D2B DIMMING: WIRES MUST BE RUN THROUGH A SEPARATE KNOCKOUT HOLE FROM THE JUNCTION BOX.
- D- INSTALL FIXTURE BRACKET TO THE WALL USING #8 SCREWS (NOT INCLUDED) INTO THE ANCHOR SCREWS.
- E- 1- UNSCREW THE (2) SECURITY CABLE BRACKET PHILLIPS SCREWS AND INSERT THE HEAD OF THE SECURITY CABLE INTO THE BRACKET.  
2- SECURE THE CABLE BY SCREWING BACK THE PHILLIPS SCREWS BACK ON THE BRACKET.
- F- SET THE FIXTURE BACK ON THE WALL BRACKET AND SCREW IT BACK IN USING THE (2) PHILLIPS SCREWS.



### WIRING DIAGRAM

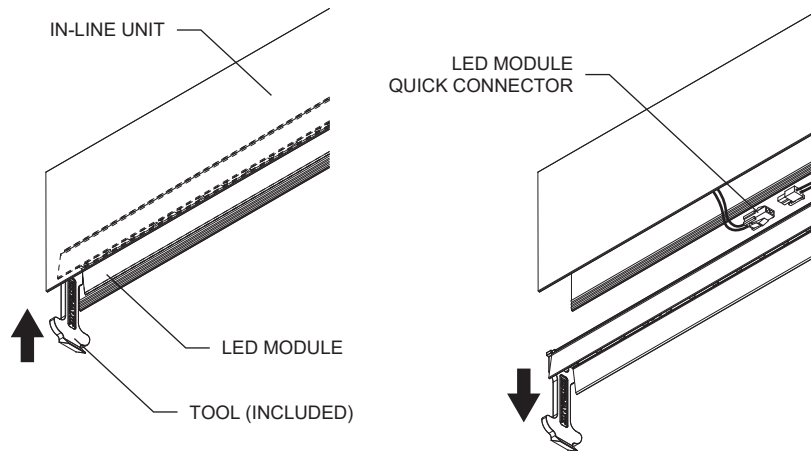


\*FOR FIXTURES LONGER THAN 8' (2.44m), THE DIRECT OPTIC DIFFUSER WILL BE SHIPPED SEPARATELY. INDIRECT OPTIC DIFFUSER IS ALREADY INSTALLED ON SHIPPED FIXTURES.

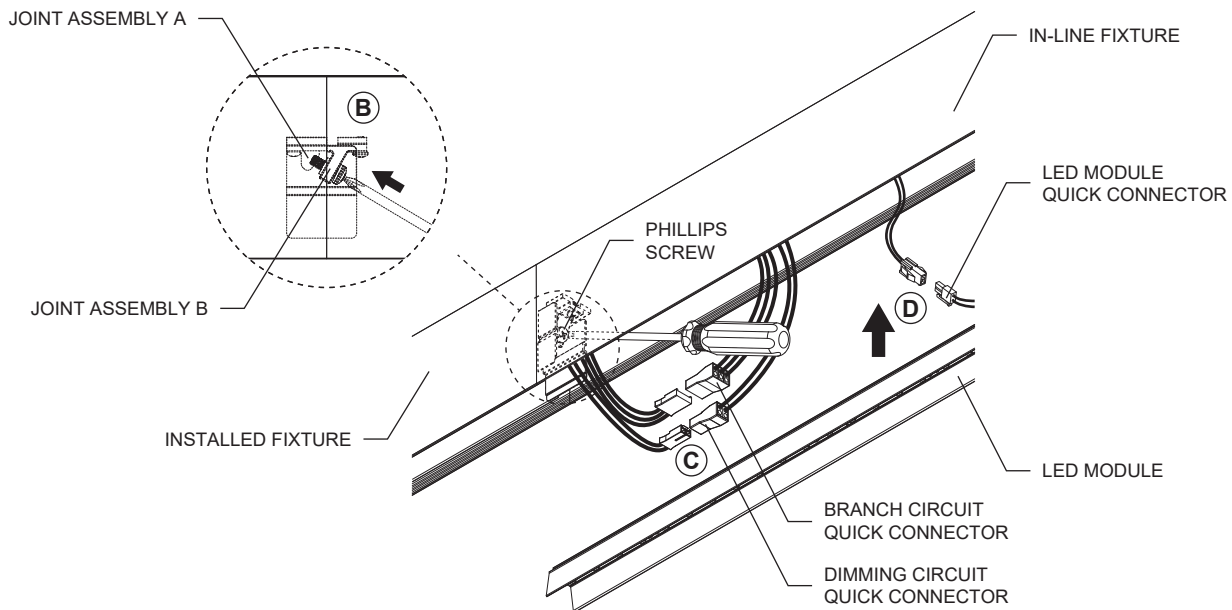
## IN-LINE UNIT INSTALLATION (LENGTHS FROM 9' AND MORE)

- A- REMOVE THE IN-LINE UNIT LED MODULE USING THE TOOL (INCLUDED) AND DISCONNECT THE LED MODULE QUICK CONNECTOR. **ALIGN AND FULLY ASSEMBLE THE IN-LINE FIXTURE TO THE WALL (SEE P.1) BEFORE DOING THE FOLLOWING STEPS:**
  - B- ALIGN THE FIXTURES AND JOIN THEM TOGETHER BY TIGHTENING THE PRE-INSTALLED PHILLIPS SCREW ON THE JOINT ASSEMBLY A TO THE JOINT ASSEMBLY B. DO NOT OVERTIGHTEN AND MAKE SURE TO NOT SQUEEZE ANY CABLES.
  - C- MAKE THE NECESSARY CONNECTIONS BETWEEN THE UNITS USING THE QUICK CONNECTORS.
  - D- CONNECT THE LED MODULE'S QUICK CONNECTOR AND SNAP THE LED MODULE BACK INTO THE ALUMINUM EXTRUSION.
  - E- ONCE ALL THE IN-LINE UNITS ARE INSTALLED, SNAP THE DIFFUSER INTO THE ALUMINUM EXTRUSIONS.
- \*DIRECT OPTIC DIFFUSER ROLL IS SHIPPED SEPARATELY FOR LENGTHS LONGER THAN 8' (2.44m)

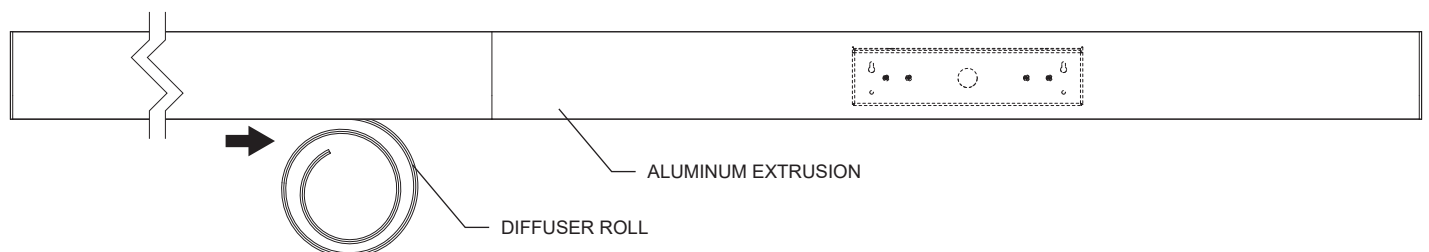
**A**



**B + C + D**

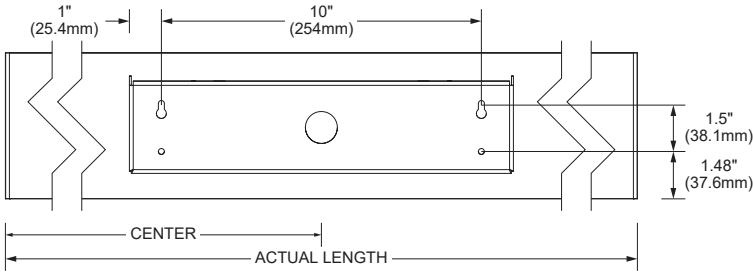


**E**

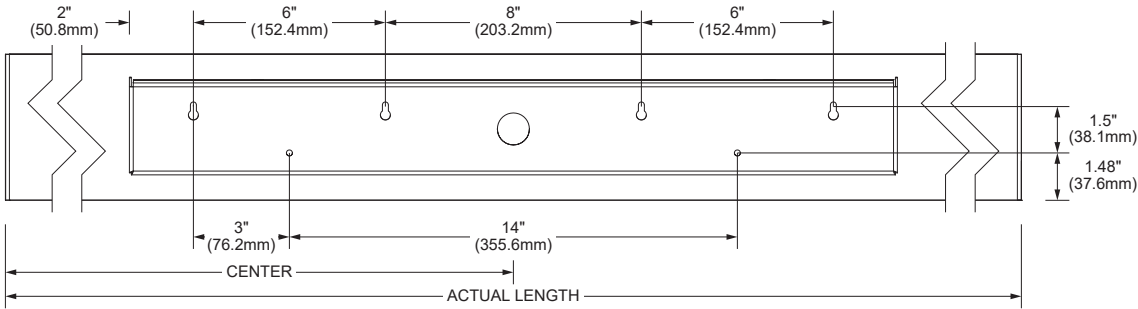


**BRACKET ANCHORING DIMENSIONS**

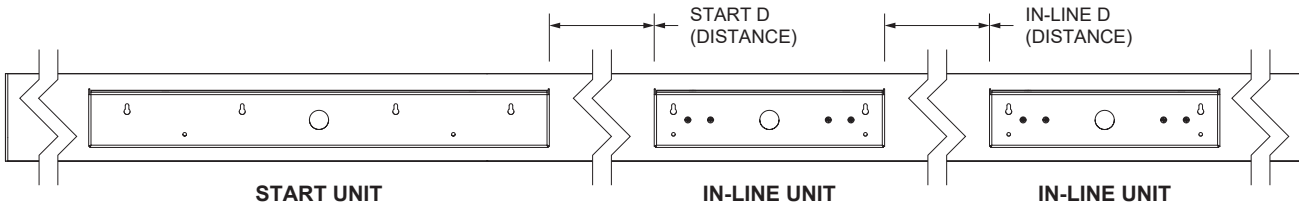
**ANCHORING DISTANCE FOR BRACKET A**



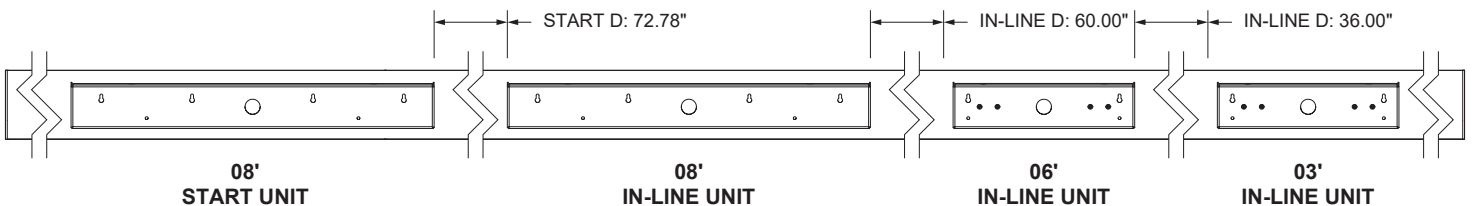
**ANCHORING DISTANCE FOR BRACKET B**



**DISTANCE BETWEEN WALL BRACKETS FOR IN-LINE UNITS**



		UNIT TO BE INSTALLED				
		03'	04'	06'	07'	08'
PREVIOUS UNIT	06'	START D: 36.78" IN-LINE D: 36.00"	START D: 42.78" IN-LINE D: 42.00"	START D: 48.78" IN-LINE D: 48.00"		
	07'	START D: 42.78" IN-LINE D: 42.00"	START D: 48.78" IN-LINE D: 48.00"	START D: 54.78" IN-LINE D: 54.00"	START D: 60.78" IN-LINE D: 60.00"	
	08'	START D: 48.78" IN-LINE D: 48.00"	START D: 54.78" IN-LINE D: 54.00"	START D: 60.78" IN-LINE D: 60.00"	START D: 66.78" IN-LINE D: 66.00"	START D: 72.78" IN-LINE D: 72.00"



**IN-LINE ANCHORING DISTANCE**

Unit	Center	Wall bracket
02'	1'- $\frac{7}{8}$ " (0.327m)	Bracket A
03'	1'- $\frac{6}{8}$ " (0.480m)	Bracket A
04'	2'- $\frac{7}{8}$ " (0.632m)	Bracket A
05'	2'- $\frac{6}{8}$ " (0.785m)	Bracket B
06'	3'- $\frac{7}{8}$ " (0.937m)	Bracket B
07'	3'- $\frac{6}{8}$ " (1.089m)	Bracket B
08'	4'- $\frac{7}{8}$ " (1.242m)	Bracket B

ANCHOR POINTS FOR LINEAR WALL MODEL 3701			
Nominal length	Actual length	In-line unit composition	Feed qty*
02'	2'- $\frac{5}{16}$ " (0.612m)	02	1
03'	3' (0.915m)	03	
04'	3'- $\frac{11}{16}$ " (1.218m)	04	
05'	5'- $\frac{1}{16}$ " (1.526m)	05	
06'	6' (1.829m)	06	
07'	6'- $\frac{11}{2}$ " (2.132m)	07	
08'	7'- $\frac{11}{2}$ " (2.435m)	08	
09'	8'- $\frac{11}{2}$ " (2.740m)	06 + 03	
10'	9'- $\frac{11}{16}$ " (3.043m)	06 + 04	
11'	10'- $\frac{11}{16}$ " (3.346m)	07 + 04	
12'	11'- $\frac{11}{8}$ " (3.649m)	08 + 04	
13'	12'- $\frac{11}{16}$ " (3.957m)	07 + 06	
14'	13'- $\frac{11}{8}$ " (4.260m)	2 x 07	
15'	14'- $\frac{11}{8}$ " (4.563m)	08 + 07	
16'	15'- $\frac{5}{16}$ " (4.866m)	2 x 08	
17'	16'- $\frac{11}{16}$ " (5.171m)	2 x 07 + 03	
18'	17'- $\frac{11}{16}$ " (5.474m)	2 x 07 + 04	
19'	18'- $\frac{11}{4}$ " (5.777m)	2 x 08 + 03	
20'	19'- $\frac{11}{16}$ " (6.080m)	2 x 08 + 04	
21'	20'- $\frac{11}{4}$ " (6.388m)	3 x 07	
22'	21'- $\frac{11}{4}$ " (6.691m)	2 x 08 + 06	
23'	22'- $\frac{11}{16}$ " (6.994m)	2 x 08 + 07	
24'	23'- $\frac{11}{16}$ " (7.297m)	3 x 08	
25'	24'- $\frac{11}{16}$ " (7.602m)	2 x 08 + 06 + 03	
26'	25'- $\frac{11}{8}$ " (7.905m)	2 x 08 + 06 + 04	
27'	26'- $\frac{11}{16}$ " (8.208m)	2 x 08 + 07 + 04	
28'	23'- $\frac{7}{8}$ " (8.511m)	4 x 08	
29'	28'- $\frac{11}{8}$ " (8.819m)	2 x 08 + 07 + 06	
30'	29'- $\frac{11}{16}$ " (9.122m)	3 x 08 + 06	
31'	30'- $\frac{11}{16}$ " (9.425m)	3 x 08 + 07	
32'	31'- $\frac{10}{16}$ " (9.728m)	4 x 08	
33'	32'-11" (10.033m)	3 x 08 + 06 + 03	
34'	33'- $\frac{10}{2}$ " (10.336m)	3 x 08 + 06 + 04	
35'	34'- $\frac{10}{2}$ " (10.639m)	3 x 08 + 07 + 04	
36'	35'- $\frac{11}{16}$ " (10.942m)	4 x 08 + 04	
37'	36'- $\frac{10}{2}$ " (11.250m)	3 x 08 + 07 + 06	
38'	37'- $\frac{10}{2}$ " (11.553m)	4 x 08 + 06	
39'	38'- $\frac{10}{16}$ " (11.856m)	4 x 08 + 07	
40'	39'- $\frac{10}{8}$ " (12.159m)	5 x 08	
41'	40'- $\frac{10}{8}$ " (12.464m)	4 x 08 + 06 + 03	
42'	41'- $\frac{10}{8}$ " (12.767m)	4 x 08 + 06 + 04	
43'	42'- $\frac{10}{16}$ " (13.070m)	4 x 08 + 07 + 04	

Refer to the anchor guide document for full list of available lengths.

6A max per feed.

\*For upright and downlight model

**IN-LINE ANCHORING DISTANCE**

Unit	Center	Wall bracket
02'	1'- $\frac{7}{8}$ " (0.327m)	Bracket A
03'	1'- $\frac{6}{8}$ " (0.480m)	Bracket A
04'	2'- $\frac{7}{8}$ " (0.632m)	Bracket A
05'	2'- $\frac{6}{8}$ " (0.785m)	Bracket B
06'	3'- $\frac{7}{8}$ " (0.937m)	Bracket B
07'	3'- $\frac{6}{8}$ " (1.089m)	Bracket B
08'	4'- $\frac{7}{8}$ " (1.242m)	Bracket B

ANCHOR POINTS FOR LINEAR WALL MODEL 3701			
Nominal length	Actual length	In-line unit composition	Feed qty*
44'	43'-10 $\frac{1}{4}$ " (13.373m)	5 x 08 + 04	2
45'	44'-10 $\frac{3}{8}$ " (13.681m)	4 x 08 + 07 + 06	
46'	45'-10 $\frac{5}{16}$ " (13.984m)	5 x 08 + 06	
47'	46'-10 $\frac{1}{4}$ " (14.287m)	5 x 08 + 07	
48'	47'-10 $\frac{1}{4}$ " (14.590m)	6 x 08	
49'	48'-10 $\frac{1}{4}$ " (14.895m)	5 x 08 + 06 + 03	
50'	49'-10 $\frac{3}{16}$ " (15.198m)	5 x 08 + 06 + 04	
51'	50'-10 $\frac{1}{8}$ " (15.501m)	5 x 08 + 07 + 04	
52'	51'-10 $\frac{1}{8}$ " (15.804m)	6 x 08 + 04	
53'	52'-10 $\frac{3}{16}$ " (16.112m)	5 x 08 + 07 + 06	
54'	53'-10 $\frac{1}{8}$ " (16.415m)	6 x 08 + 06	
55'	54'-10 $\frac{1}{8}$ " (16.718m)	6 x 08 + 07	
56'	55'-10 $\frac{1}{16}$ " (17.021m)	7 x 08	
57'	56'-10 $\frac{1}{16}$ " (17.326m)	6 x 08 + 06 + 03	
58'	57'-10" (17.629m)	6 x 08 + 06 + 04	
59'	58'-9 $\frac{9}{16}$ " (17.932m)	6 x 08 + 07 + 04	
60'	59'-9 $\frac{1}{2}$ " (18.235m)	7 x 08 + 04	
61'	60'-10" (18.543m)	6 x 08 + 07 + 06	
62'	61'-9 $\frac{9}{16}$ " (18.846m)	7 x 08 + 06	
63'	62'-9 $\frac{1}{2}$ " (19.149m)	7 x 08 + 07	
64'	63'-9 $\frac{7}{16}$ " (19.452m)	8 x 08	
65'	64'-9 $\frac{1}{2}$ " (19.757m)	7 x 08 + 06 + 03	
66'	65'-9 $\frac{7}{16}$ " (20.060m)	7 x 08 + 06 + 04	
67'	66'-9 $\frac{3}{8}$ " (20.363m)	7 x 08 + 07 + 04	
68'	67'-9 $\frac{3}{8}$ " (20.666m)	8 x 08 + 04	
69'	68'-9 $\frac{7}{16}$ " (20.974m)	7 x 08 + 07 + 06	
70'	69'-9 $\frac{3}{8}$ " (21.277m)	8 x 08 + 06	
71'	70'-9 $\frac{5}{16}$ " (21.580m)	8 x 08 + 07	
72'	71'-9 $\frac{5}{16}$ " (21.883m)	9 x 08	
73'	72'-9 $\frac{5}{16}$ " (22.188m)	8 x 08 + 06 + 03	
74'	73'-9 $\frac{1}{4}$ " (22.491m)	8 x 08 + 06 + 04	
75'	74'-9 $\frac{1}{4}$ " (22.794m)	8 x 08 + 07 + 04	
76'	75'-9 $\frac{3}{16}$ " (23.097m)	9 x 08 + 04	
77'	76'-9 $\frac{1}{4}$ " (23.405m)	8 x 08 + 07 + 06	
78'	77'-9 $\frac{3}{16}$ " (23.708m)	9 x 08 + 06	
79'	78'-9 $\frac{3}{16}$ " (24.011m)	9 x 08 + 07	
80'	79'-9 $\frac{1}{8}$ " (24.314m)	10 x 08	
81'	80'-9 $\frac{1}{8}$ " (24.619m)	9 x 08 + 06 + 03	
82'	81'-9 $\frac{1}{8}$ " (24.922m)	9 x 08 + 06 + 04	
83'	82'-9 $\frac{1}{16}$ " (25.225m)	9 x 08 + 07 + 04	
84'	83'-9" (25.528m)	10 x 08 + 04	
85'	84'-9 $\frac{1}{16}$ " (25.831m)	9 x 08 + 07 + 06	

Refer to the anchor guide document for full list of available lengths.

6A max per feed.

\*For upright and downlight model

## IN-LINE ANCHORING DISTANCE

Unit	Center	Wall bracket
<b>02'</b>	1'- $\frac{7}{8}$ " (0.327m)	Bracket A
<b>03'</b>	1'- $6\frac{7}{8}$ " (0.480m)	Bracket A
<b>04'</b>	2'- $\frac{7}{8}$ " (0.632m)	Bracket A
<b>05'</b>	2'- $6\frac{7}{8}$ " (0.785m)	Bracket B
<b>06'</b>	3'- $\frac{7}{8}$ " (0.937m)	Bracket B
<b>07'</b>	3'- $6\frac{7}{8}$ " (1.089m)	Bracket B
<b>08'</b>	4'- $\frac{7}{8}$ " (1.242m)	Bracket B

ANCHOR POINTS FOR LINEAR WALL MODEL 3701			
Nominal length	Actual length	In-line unit composition	Feed qty*
<b>86'</b>	85'- $9\frac{1}{16}$ " (26.139m)	10 x 08 + 06	3
<b>87'</b>	86'-9" (26.442m)	10 x 08 + 07	
<b>88'</b>	87'- $8\frac{9}{16}$ " (26.745m)	11 x 08	
<b>89'</b>	88'- $8\frac{9}{16}$ " (27.050m)	10 x 08 + 06 + 03	
<b>90'</b>	89'- $8\frac{1}{2}$ " (27.353m)	10 x 08 + 06 + 04	
<b>91'</b>	90'- $8\frac{7}{16}$ " (27.656m)	10 x 08 + 07 + 04	
<b>92'</b>	91'- $8\frac{7}{16}$ " (27.959m)	11 x 08 + 04	
<b>93'</b>	92'- $8\frac{1}{2}$ " (28.267m)	10 x 08 + 07 + 06	
<b>94'</b>	93'- $8\frac{7}{16}$ " (28.570m)	11 x 08 + 06	
<b>95'</b>	94'- $8\frac{7}{16}$ " (28.873m)	11 x 08 + 07	
<b>96'</b>	95'- $8\frac{3}{8}$ " (29.176m)	12 x 08	

Refer to the anchor guide document for full list of available lengths.  
6A max per feed.

\*For upright and downlight model